

Equipment Information Demolition Excavator

R 950

Litronic®

Engine

295 HP / 220 kW

Tier 4 Final

Operating Weight

75,850 kg / 167,220 lb

Working Height

27.50 m / 90'3"

H/2: 24.25 m / 79'9"



LIEBHERR

Technical Data



Engine

Rating	per SAE J1349 295 HP (220 kW) at 1,800 rpm
	per ISO 9249 299 HP (220 kW) at 1,800 rpm
Torque	1,450 Nm at 1,100 rpm / 1,069 lbf ft at 1,000 rpm
Model	Liebherr D944 A7-24
Type	4 cylinder in-line
Bore	130 mm / 5.1 in
Stroke	150 mm / 5.9 in
Displacement	7.964 l / 486 in³
Engine operation	4-stroke diesel Common-Rail, monoturbo
Exhaust gas treatment	Tier 4 Final DOC + DPF + SCR Passive regeneration by thermo management
Cooling system	Water-cooled and integrated motor oil cooler, after-cooled and fuel cooled
Air cleaner	Dry-type air cleaner with pre-cleaner, primary and safety elements
Fuel tank	770 l / 203 gal
Urea tank	90 l / 24 gal
Electrical system	
Voltage	24 V
Batteries	2 x 180 Ah/12 V
Starter	24 V/7.8 kW
Alternator	Three-phase current 28 V/140 A
Engine idling	Sensor controlled
Motor management	Connection to the integrated excavator system controlling via CAN-BUS to the economical utilisation of the service that is available



Hydraulic Controls

Power distribution	Via control valves in single block with integrated safety valves
Flow summation	To boom and stick
Closed-loop circuit	For uppercarriage swing drive
Servo circuit	
Equipment and swing	Proportional via joystick levers
Travel	- Proportional control via foot pedals or removable levers - Speed pre-selection
Additional functions	Proportional regulation via foot pedals or mini-joystick



Hydraulic System

Hydraulic system	Positive Control hydraulic system. Demand-based, double independent pump flows Features high system dynamics and sensitivity provided by integrated system controlling Independent circuit for rotation
Hydraulic pumps	
For equipment and travel drive	Liebherr, variable displacement, swashplate double pump
Max. flow	2 x 305 l/min. / 2 x 81 gpm
Max. pressure	380 bar / 5,511 psi
For swing drive	Reversible, variable displacement, swashplate pump, closed-loop circuit
Max. flow	205 l/min. / 54 gpm
Max. pressure	400 bar / 5,802 psi
Pump management	Electronic pump management via the integrated system controlling (CAN-BUS) synchronous to the control block
Hydraulic tank	380 l / 100 gal
Hydraulic system	1,150 l / 304 gal with demolition equipment
Hydraulic oil filter	1 full flow filter (10 µm / 1,250 mesh) in return line with integrated fine filter area (5 µm / 2,500 mesh)
Cooling system	Compact cooler, consisting of a water cooler, with hydraulic oil cooler, gearbox oil cooler, fuel cooler and after-cooler cores and hydrostatically driven fan
MODE selection	Adjustment of engine and hydraulic performance via a mode pre-selector to match application, e.g. for especially economical and environmentally friendly operation or for maximum digging performance and heavy-duty jobs
RPM adjustment	Stepless adjustment of engine output via RPM at each selected mode
Tool Control	20 preadjustable pump flows and pressures for add-on attachments
Attachment system	
Flow	305 l/min. / 81 gpm
Pressure	380 bar / 5,511 psi
Attachment rotation system	
Flow	30 l/min. / 8 gpm
Pressure	140 bar / 2,031 psi
Max. pressure	180 bar / 2,611 psi



Swing Drive

Drive	Liebherr swashplate motor with integrated brake valve
Transmission	Liebherr compact planetary reduction gears
Swing ring	Liebherr, sealed race ball bearing swing ring, internal teeth
Swing speed	0 – 5.8 rpm stepless
Swing torque	160 kNm / 118,010 lbf ft
Holding brake	Wet multi-disc (spring applied, pressure released)



Operator's Cab

Cab	Safety cab structure, headlight integrated under the protection, a door with a sliding window (can be opened on both sides), large storing box and several stowing possibilities, shock-absorbing suspension, sounddamping insulating, tinted laminated safety glass, separate window shades for the sunroof window and windscreen, cigarette lighter and 12 V plug, storage bins, lunchbox, cup holder, polycarbonate windows on right side
Operator's seat	Liebherr-Comfort seat, airsprung with automatic weight adjustment, vertical and longitudinal seat damping including consoles and joysticks. Seat and armrests adjustable separately and in combination, seat heating as standard
Arm consoles	Oscillating consoles with seat, tiltable console left
Operation and displays	Large high-resolution color display with intuitive operation via touchscreen, video, additional color display for front and side camera, versatile adjusting, control and monitoring facilities, e.g. climate control, implement and attachment parameters, specific demolition display
Air-conditioning	Standard automatic air-conditioning, ambient air function, fast de-icing and demisting at the press of a button, air vents can be operated via a menu. Ambient air and fresh air filters can be easily replaced and are accessible from the outside. Heating-cooling unit, designed for extreme outside temperatures, sensors for solar radiation, inside and outside temperatures
Noise emission	
ISO 6396	L_{pA} (inside cab) = 72 dB(A)
2000/14/EC	L_{WA} (surround noise) = 106 dB(A)



Undercarriage

Versions	
VH-HD	Hydraulic variable gauge
LC-V	Mechanical variable gauge
HD	Standard
Drive	Liebherr swashplate motor with integrated brake valve
Transmission	Liebherr compact planetary reduction gear
Maximum travel speed	Low range 2.2 km/h / 1.4 mph High range 3.1 km/h / 1.9 mph
Drawbar pull on crawler	VH-HD: 488 kN / 109,707 lbf LC-V/HD: 457 kN / 102,738 lbf
Track components	D8L, maintenance-free
Track rollers / Carrier rollers	VH-HD: 11/3 HD: 9/2 LC-V: 10/3
Tracks	Sealed and greased
Track pads	Triple grouser
Holding brake	Wet multi-disc (spring applied, pressure released)

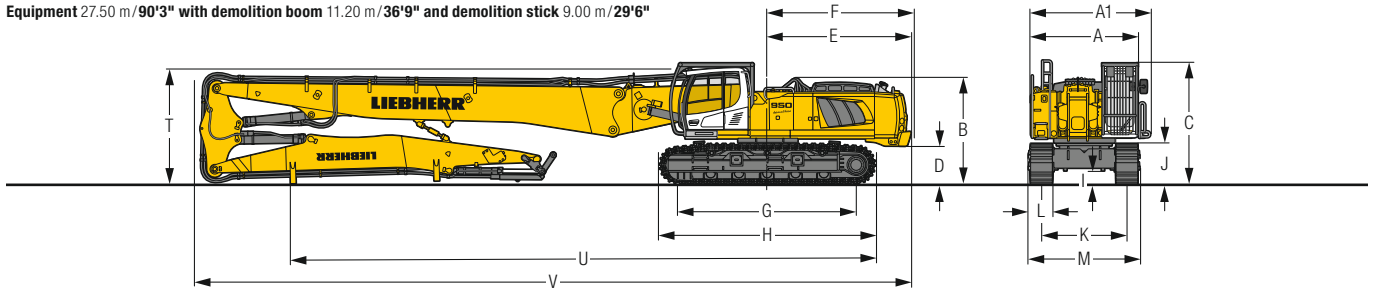


Equipment

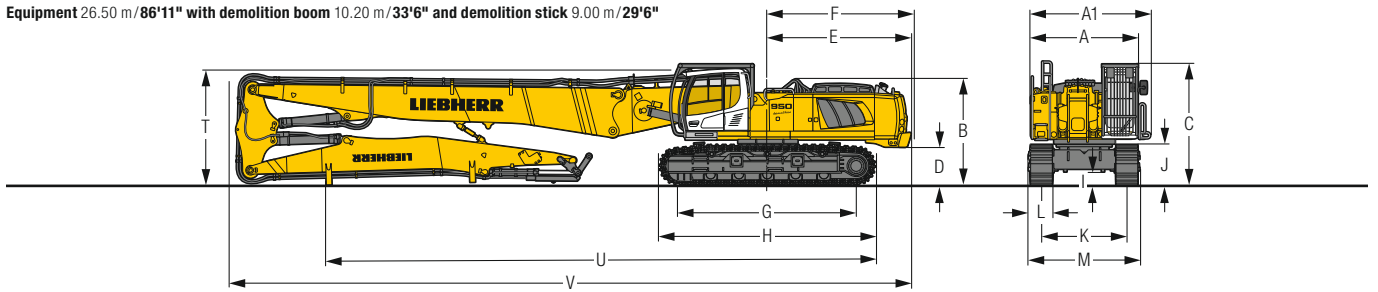
Type	Combination of resistant steel plates and cast steel components
Hydraulic cylinders	Liebherr cylinders with seal and guidance systems
Bearings	Sealed, low maintenance
Lubrication	Automatic central lubrication system (except link and tilt geometry)
Hydraulic connections	Pipes and hoses equipped with SAE split-flange connections
Buckets	Standard equipped with Liebherr tooth system

Dimensions

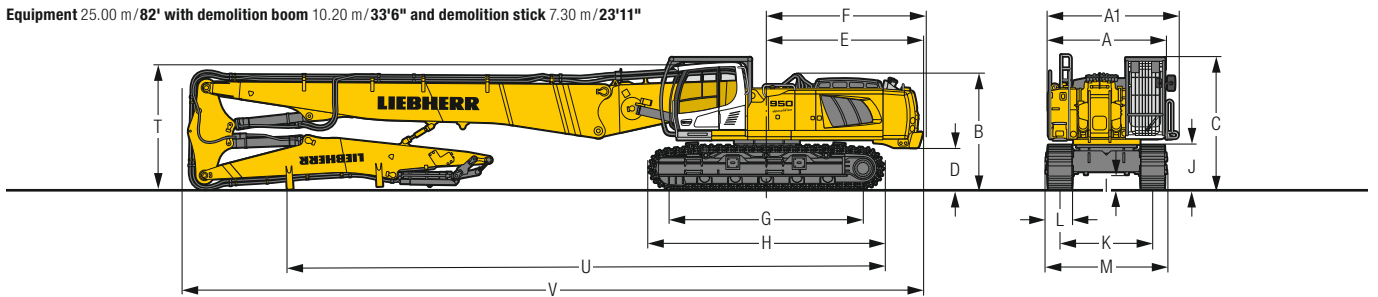
Equipment 27.50 m/90'3" with demolition boom 11.20 m/36'9" and demolition stick 9.00 m/29'6"



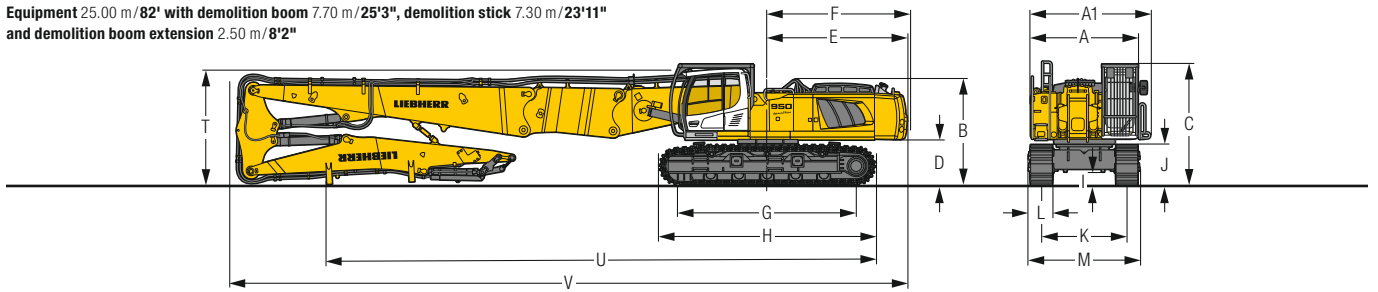
Equipment 26.50 m/86'11" with demolition boom 10.20 m/33'6" and demolition stick 9.00 m/29'6"



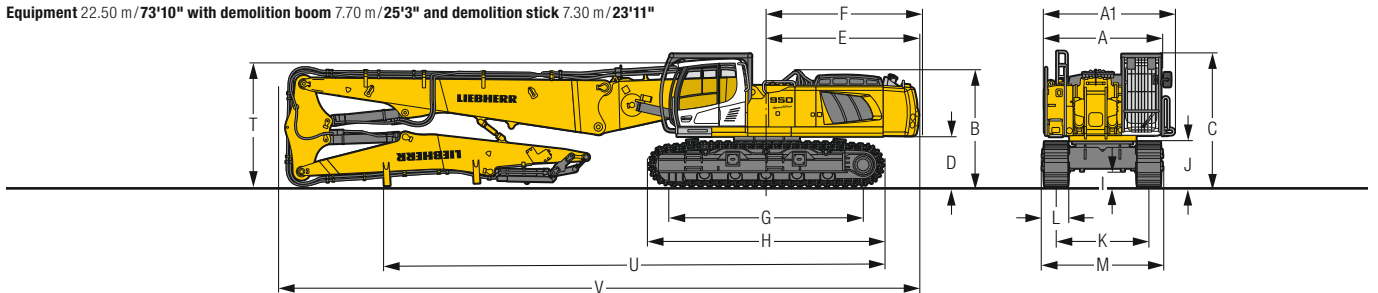
Equipment 25.00 m/82' with demolition boom 10.20 m/33'6" and demolition stick 7.30 m/23'11"



Equipment 25.00 m/82' with demolition boom 7.70 m/25'3", demolition stick 7.30 m/23'11" and demolition boom extension 2.50 m/8'2"



Equipment 22.50 m/73'10" with demolition boom 7.70 m/25'3" and demolition stick 7.30 m/23'11"



	VH-HD	mm/ft in	LC-V	mm/ft in	HD	mm/ft in
A	Uppercarriage width	2,985** / 9'10"***		2,985** / 9'10"***		2,985** / 9'10"***
A1	Uppercarriage width with catwalks	3,325 / 10'11"		3,325 / 10'11"		3,325 / 10'11"
B	Uppercarriage height	2,970 / 9' 9"		3,180 / 10' 5"		3,075 / 10' 1"
C	Cab height	3,395 / 11' 2"		3,605 / 11'10"		3,500 / 11' 6"
D	Counterweight ground clearance	1,070 / 3' 6"		1,280 / 4' 2"		1,175 / 3'10"
E	Rear-end length	4,015 / 13' 2"		4,015 / 13' 2"		4,015 / 13' 2"
F	Tail swing radius	4,060 / 13' 4"		4,060 / 13' 4"		4,060 / 13' 4"
G	Wheelbase	4,980 / 16' 4"		4,500 / 14' 9"		4,500 / 14' 9"
H	Undercarriage length	6,040 / 19'10"		5,555 / 18' 3"		5,550 / 18' 3"
I	Undercarriage ground clearance	350 / 1' 2"		800 / 2' 7"		570 / 1'10"
J	Track height	1,135 / 3' 9"		1,175 / 3'10"		1,225 / 4'
K	Track gauge	2,380 – 3,430 / 7'10" – 11' 3"		2,390 – 2,890 / 7'10" – 9' 6"		2,900 / 9' 6"
L	Track pad width	600 / 24"		600 / 24"		600 / 24"
M	Width over tracks	3,100 – 4,150 / 10' 2" – 13' 7"		2,990 – 3,490 / 9'10" – 11' 5"		3,500 / 11' 6"
N	Width over steps	3,370 – 4,420 / 11' 1" – 14' 6"*		3,200 – 3,700 / 10' 6" – 12' 2"*		3,715 / 12' 2"

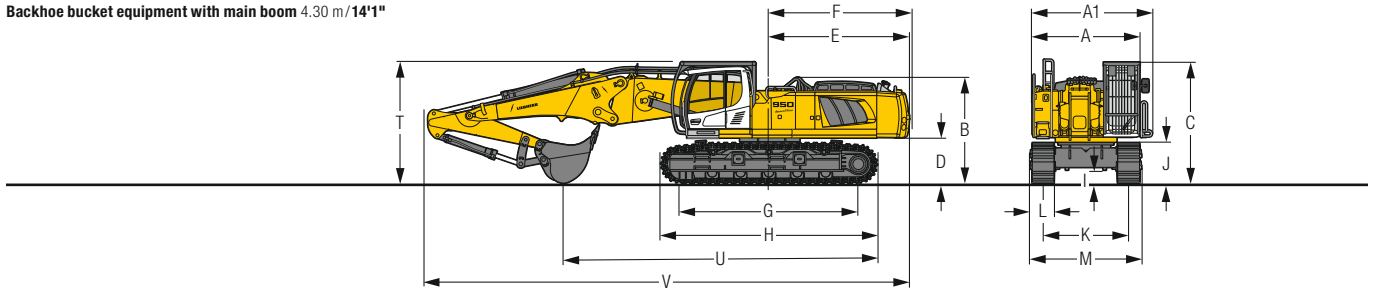
* width with removable steps

** without door stop device and spacer

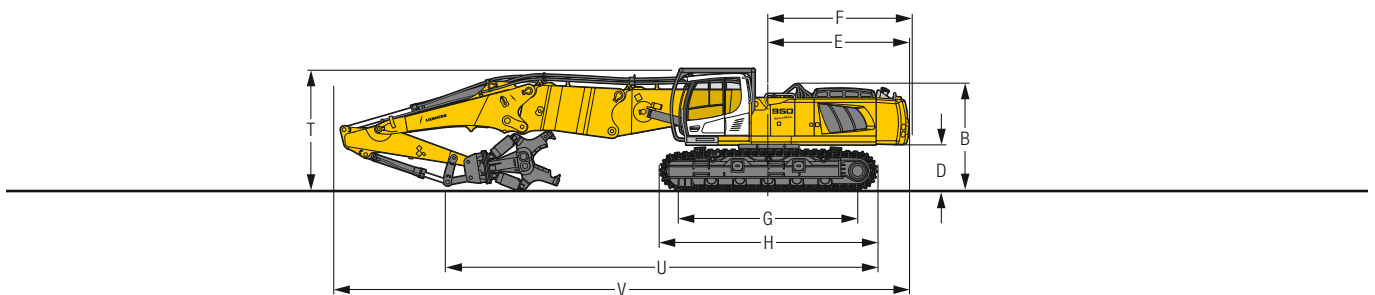
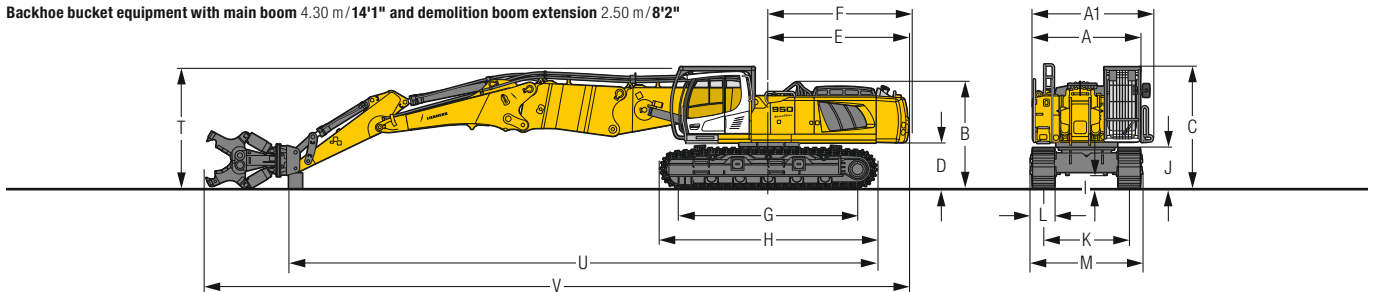
		Demolition equipment 27.50 m/90'3"			Demolition equipment 26.50 m/86'11"			Demolition equipment 25.00 m/82' with demolition boom 10.20 m/33'6"			Demolition equipment 25.00 m/82' with demolition boom 7.70 m/25'3"			Demolition equipment 22.50 m/73'10"		
		VH-HD	LC-V	HD	VH-HD	LC-V	HD	VH-HD	LC-V	HD	VH-HD	LC-V	HD	VH-HD	LC-V	HD
T	Boom height	3,200 20'6"	3,400 11'2"	3,300 10'10"	3,200 20'6"	3,400 11'2"	3,300 10'10"	3,200 20'6"	3,400 11'2"	3,300 10'10"	3,200 20'6"	3,400 11'2"	3,300 10'10"	3,200 20'6"	3,400 11'2"	3,300 10'10"
U	Length on ground	15,400 50'6"	15,100 49'6"	15,100 49'6"	15,300 50'2"	15,000 49'3"	15,000 49'3"	12,800 42'	12,500 41'	12,500 41'	15,300 50'2"	15,000 49'3"	15,000 49'3"	12,800 42'	12,500 41'	12,500 41'
V	Overall length	20,000 65'7"	20,000 65'7"	20,000 65'7"	19,000 62'4"	19,000 62'4"	19,000 62'4"	19,000 62'4"	19,000 62'4"	19,000 62'4"	18,900 62'	18,900 62'	18,900 62'	16,400 53'10"	16,400 53'10"	16,400 53'10"

Dimensions

Backhoe bucket equipment with main boom 4.30 m/14'11"

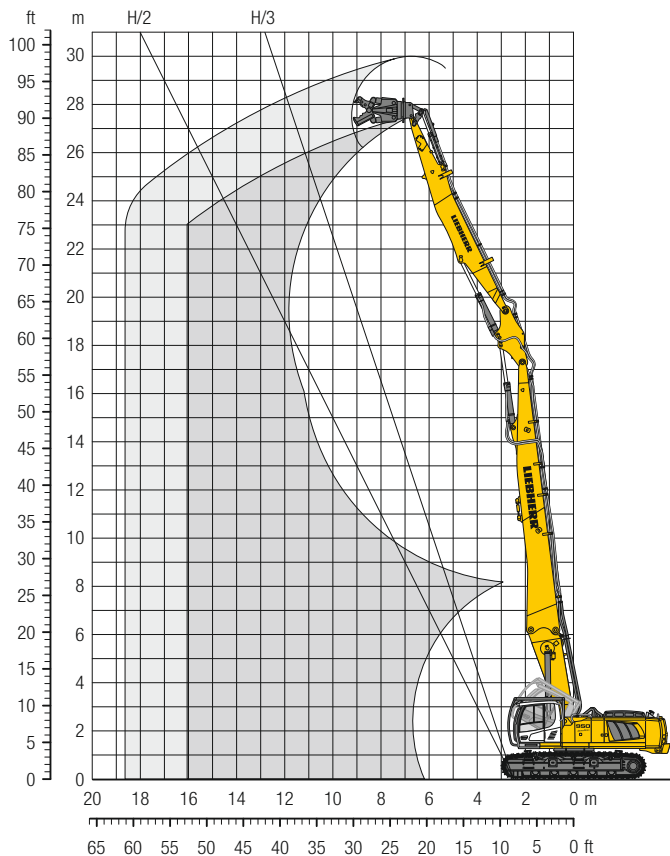


Backhoe bucket equipment with main boom 4.30 m/14'11" and demolition boom extension 2.50 m/8'2"



	Stick length m/ft in	Backhoe bucket equipment			Backhoe bucket equipment with demolition boom extension		
		VH-HD	mm/ft in LC-V	HD	VH-HD	mm/ft in LC-V	HD
T Boom height	2.10/6'11"	3,400/11'2"	3,500/11'6"	3,450/11' 4"	3,400/11' 2"	3,500/11' 6"	3,450/11'4"
	2.60/8' 6"	3,450/11'4"	3,550/11'8"	3,500/11' 6"	3,350/11'	3,450/11' 4"	3,400/11'2"
U Length on ground	2.10/6'11"	8,750/28'8"	8,450/27'9"	8,500/27'11"	11,250/36'11"	10,950/35'11"	11,000/36'1"
	2.60/8' 6"	8,300/27'3"	7,950/26'1"	8,050/26' 5"	12,000/39' 4"	11,750/38' 7"	11,800/38'9"
U1	2.10/6'11"	-	-	-	-	-	-
	2.60/8' 6"	-	-	-	16,350/53' 8"	16,150/53'	16,200/53'2"
V Overall length	2.10/6'11"	13,500/44'3"	13,500/44'3"	13,500/44' 3"	16,000/52' 6"	16,000/52' 6"	16,000/52'6"
	2.60/8' 6"	13,500/44'3"	13,500/44'3"	13,500/44' 3"	16,000/52' 6"	11,600/38' 1"	16,000/52'6"
V1	2.10/6'11"	-	-	-	-	-	-
	2.60/8' 6"	-	-	-	19,600/64' 4"	19,600/64' 4"	19,600/64'4"

Demolition Equipment 27.50 m / 90'3"



Reach Limitation

		12 m 39'4"	14 m 45'11"	16 m 52'6"
Demolition boom 11.20 m / 36'9"				
+ Intermediate boom		Attachment weight*		
+ Demolition stick 9.00 m / 29'6"		in t / lb		
VH-HD-Undercarriage	lengthwise	3.00 / 6,610	3.00 / 6,610	3.00 / 6,610
	transverse	3.00 / 6,610	3.00 / 6,610	2.25 / 4,960
LC-V-Undercarriage	lengthwise	3.00 / 6,610	3.00 / 6,610	2.50 / 5,510
	transverse	3.00 / 6,610	2.00 / 4,410	1.50 / 3,310
HD-Undercarriage	lengthwise	-	-	-
	transverse	-	-	-

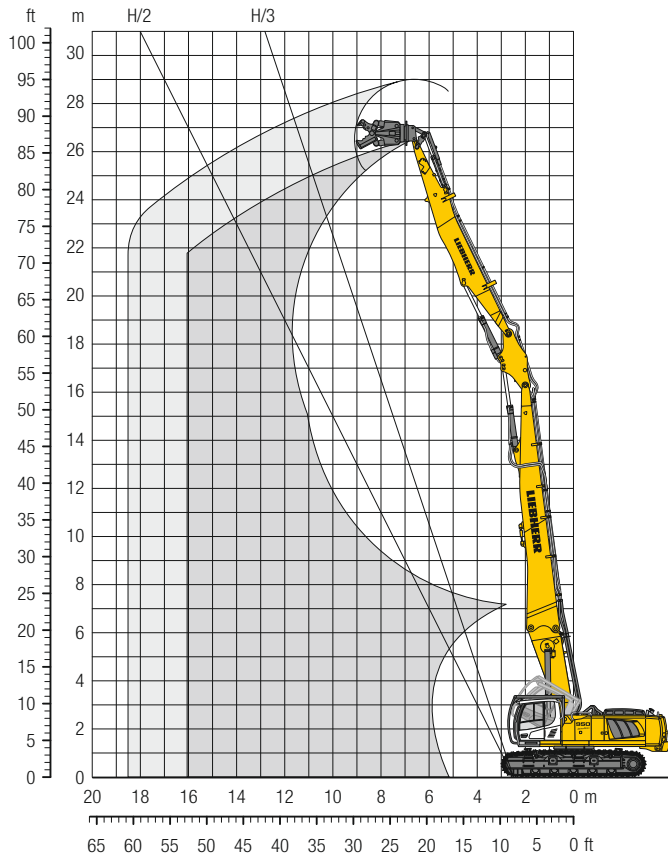
* included quick coupler, adapter plate and attachment

Operating Weight and Ground Pressure

The operating weight includes the basic machine with counterweight 13.1 t / 28,880 lb including 3.9 t / 8,600 lb removable, demolition boom 11.20 m / 36'9", intermediate boom 2.25 m / 7'5", demolition stick 9.00 m / 29'6" and attachment 3.0 t / 6,610 lb.

Undercarriage		VH-HD	LC-V	HD
Pad width	mm / in	600 / 24"	600 / 24"	600 / 24"
Weight	kg / lb	75,550 / 166,560	68,050 / 150,030	65,050 / 143,410
Ground pressure	kg/cm ² / psi	1.18 / 16.8	1.16 / 16.5	1.11 / 15.8

Demolition Equipment 26.50 m/86'11"



Reach Limitation

		12 m 39'4"	14 m 45'11"	16 m 52'6"
Demolition boom 10.20 m/33'6"				
+ Intermediate boom		Attachment weight*		
+ Demolition stick 9.00 m/29'6"		in t/lb		
VH-HD-Undercarriage	lengthwise	3.00/6,610	3.00/6,610	3.00/6,610
	transverse	3.00/6,610	3.00/6,610	2.50/5,510
LC-V-Undercarriage	lengthwise	3.00/6,610	3.00/6,610	2.50/5,510
	transverse	3.00/6,610	2.00/4,410	1.50/3,310
HD-Undercarriage	lengthwise	3.00/6,610	3.00/6,610	2.25/4,960
	transverse	2.75/6,060	2.00/4,410	-

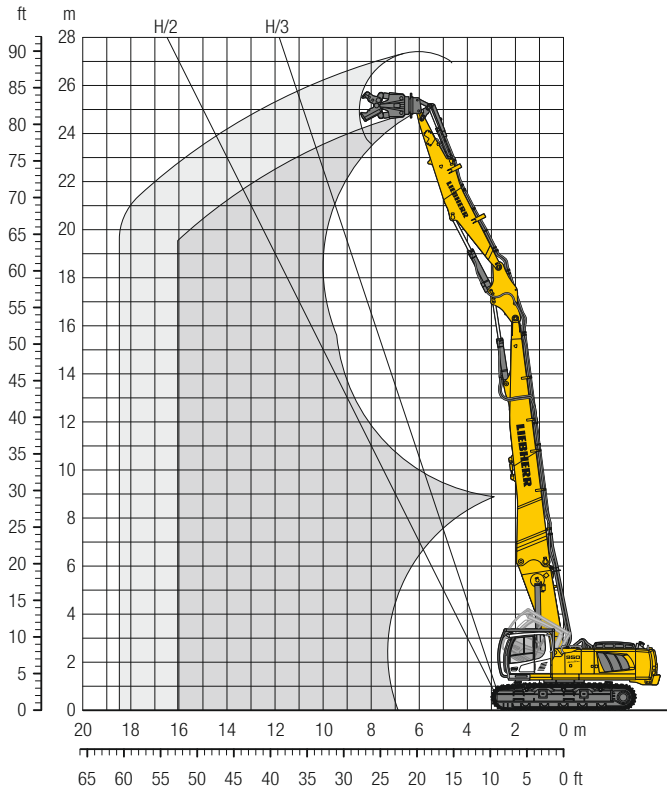
* included quick coupler, adapter plate and attachment

Operating Weight and Ground Pressure

The operating weight includes the basic machine with counterweight 13.1 t/28,880 lb including 3.9 t/8,600 lb removable, demolition boom 10.20 m/33'6", intermediate boom 2.25 m/7'5", demolition stick 9.00 m/29'6" and attachment 3.0 t/6,610 lb.

Undercarriage		VH-HD	LC-V	HD
Pad width	mm/in	600/24"	600/24"	600/24"
Weight	kg/lb	73,900/162,920	66,400/146,390	63,400/139,770
Ground pressure	kg/cm ² /psi	1.15/16.4	1.14/16.2	1.08/15.4

Demolition Equipment 25.00 m/82'



Reach Limitation

		12 m 39'4"	14 m 45'11"	16 m 52'6"
Demolition boom 10.20 m/33'6"				
+ Intermediate boom		Attachment weight*		
+ Demolition stick 7.30 m/23'11"		in t/lb		
VH-HD-Undercarriage	lengthwise	3.50/7,720	3.50/7,720	3.50/7,720
	transverse	3.50/7,720	3.00/6,610	2.25/4,960
LC-V-Undercarriage	lengthwise	3.50/7,720	3.50/7,720	2.75/6,060
	transverse	3.00/6,610	2.25/4,960	1.50/3,310
HD-Undercarriage	lengthwise	3.50/7,720	3.50/7,720	2.75/6,060
	transverse	2.75/6,060	2.00/4,410	1.50/3,310

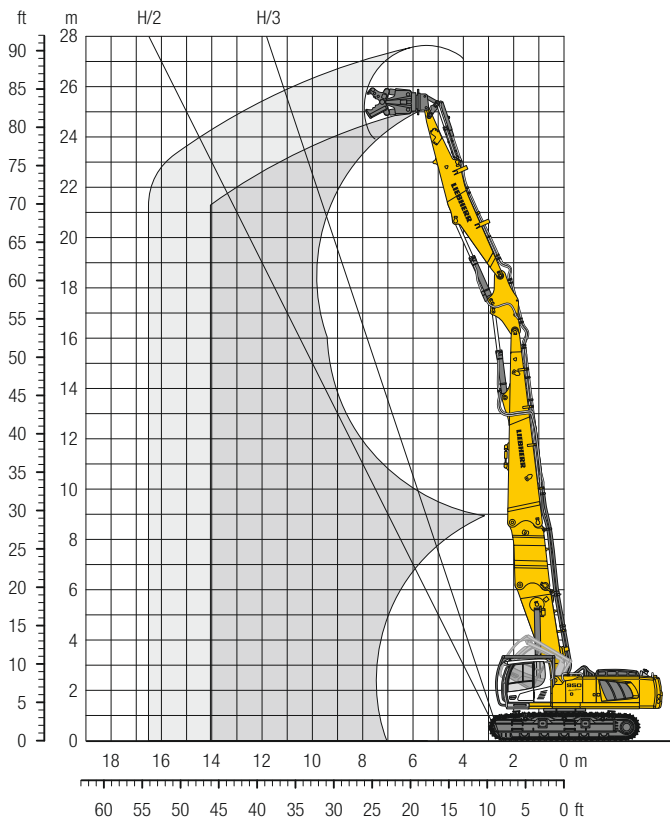
* included quick coupler, adapter plate and attachment

Operating Weight and Ground Pressure

The operating weight includes the basic machine with counterweight 13.1 t/28,880 lb including 3.9 t/8,600 lb removable, demolition boom 10.20 m/33'6", intermediate boom 2.25 m/7'5", demolition stick 7.30 m/23'11" and attachment 3.5 t/7,720 lb.

Undercarriage		VH-HD	LC-V	HD
Pad width	mm/in	600/24"	600/24"	600/24"
Weight	kg/lb	74,100/163,360	66,600/146,830	63,600/140,210
Ground pressure	kg/cm ² /psi	1.15/16.4	1.14/16.2	1.09/15.5

Demolition Equipment 25.00 m/82'



Reach Limitation

	12 m 39'4"	14 m 45'11"	16 m 52'6"
Demolition boom 7.70 m/25'3"			
+ Demolition boom extension 2.50 m			
+ Intermediate boom			
+ Demolition stick 7.30 m/23'11"			
VH-HD-Undercarriage			
lengthwise	3.50/7,720	3.50/7,720	3.25/7,170
transverse	3.50/7,720	2.75/6,060	2.00/4,410
LC-V-Undercarriage			
lengthwise	3.50/7,720	3.25/7,170	2.25/4,960
transverse	2.25/4,960	1.50/3,310	–
HD-Undercarriage			
lengthwise	3.50/7,720	3.00/6,610	2.25/4,960
transverse	2.50/5,510	1.75/3,860	–

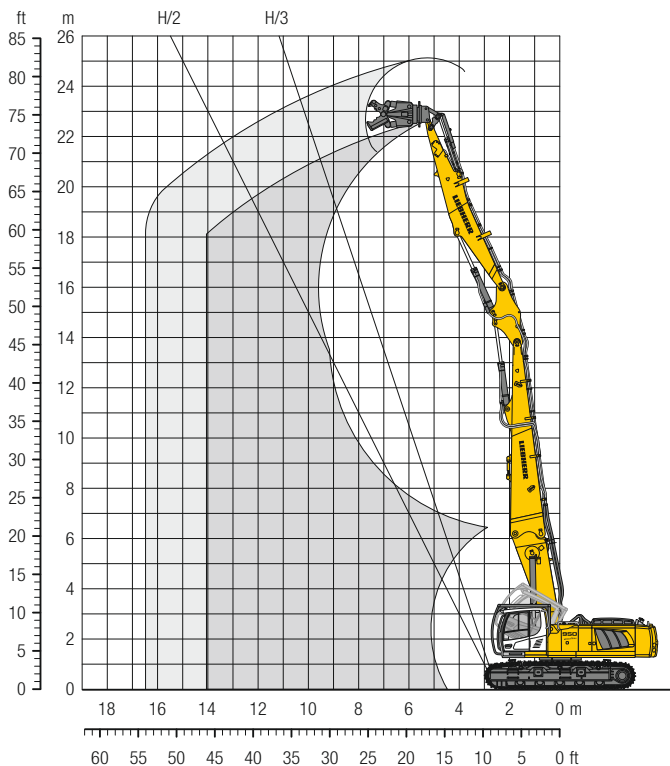
* included quick coupler, adapter plate and attachment

Operating Weight and Ground Pressure

The operating weight includes the basic machine with counterweight 13.1 t/28,880 lb including 3.9 t/8,600 lb removable, demolition boom 7.70 m/25'3", demolition boom extension 2.50 m/8'2", intermediate boom 2.25 m/7'5", demolition stick 7.30 m/23'11" and attachment 3.25 t/7,170 lb.

Undercarriage		VH-HD	LC-V	HD
Pad width	mm/in	600/24"	600/24"	600/24"
Weight	kg/lb	75,850/167,220	68,350/150,690	65,350/144,070
Ground pressure	kg/cm ² /psi	1.18/16.8	1.17/16.6	1.12/15.9

Demolition Equipment 22.50 m / 73'10"



Reach Limitation

		10 m 32'10"	12 m 39'4"	14 m 45'11"
Demolition boom 7.70 m / 35'3"				
+ Intermediate boom		Attachment weight*		
+ Demolition stick 7.30 m / 23'11"		in t/lb		
VH-HD-Undercarriage	lengthwise	3.50 / 7,720	3.50 / 7,720	3.50 / 7,720
	transverse	3.50 / 7,720	3.50 / 7,720	2.25 / 4,960
LC-V-Undercarriage	lengthwise	3.50 / 7,720	3.50 / 7,720	2.75 / 6,060
	transverse	3.50 / 7,720	2.50 / 5,510	1.50 / 3,310
HD-Undercarriage	lengthwise	3.50 / 7,720	3.50 / 7,720	2.50 / 5,510
	transverse	3.25 / 7,170	2.50 / 5,510	1.50 / 3,310

* included quick coupler, adapter plate and attachment

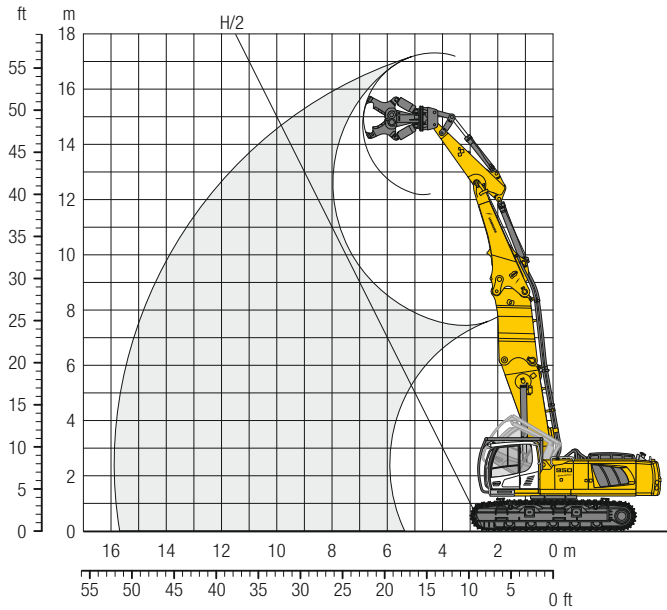
Operating Weight and Ground Pressure

The operating weight includes the basic machine with counterweight 9.2 t / 20,280 lb, demolition boom 7.70 m / 25'3", intermediate boom 2.25 m / 7'5", demolition stick 7.30 m / 23'11" and attachment 3.5 t / 7,720 lb.

Undercarriage		VH-HD	LC-V	HD
Pad width	mm / in	600 / 24"	600 / 24"	600 / 24"
Weight	kg / lb	69,300 / 152,780	61,800 / 136,250	58,800 / 129,630
Ground pressure	kg/cm ² / psi	1.08 / 15.4	1.06 / 15.1	1.00 / 14.2

Backhoe Bucket

with Main Boom 4.30 m / 14'1" and Demolition Boom Extension 2.50 m / 8'2"



Operating Weight and Ground Pressure

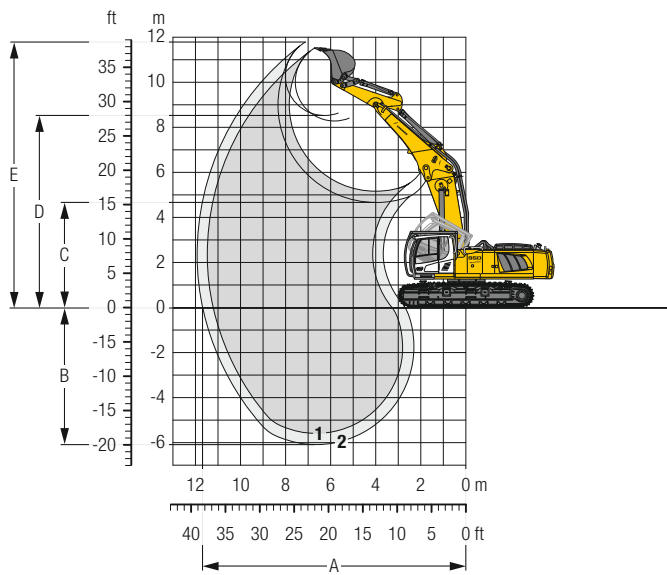
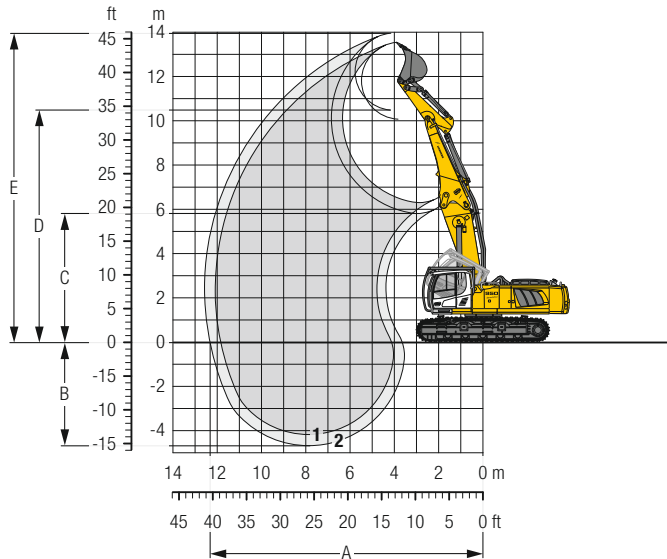
The operating weight includes the basic machine with counterweight 9.2 t / 20,280 lb, main boom 4.30 m / 14'1", demolition boom extension 2.50 m / 8'2", HD stick 2.60 m / 8'6" and attachment* 4.5 t / 9,920 lb.

Undercarriage		VH-HD	LC-V	HD
Pad width	mm/in	600 / 24"	600 / 24"	600 / 24"
Weight	kg / lb	69,925 / 154,160	62,425 / 137,620	59,425 / 131,010
Ground pressure	kg/cm ² / psi	1.09 / 15.5	1.07 / 15.2	1.01 / 14.4

* included quick coupler, adapter plate and attachment

Backhoe Bucket

with Main Boom 4.30 m / 14'1"



Digging Envelope

Main Boom pinned in upper (in lower) bearing

	1		2	
Stick length	m / ft in		2.10 / 6'11"	
A Max. reach at ground level	m / ft in		11.85 (11.20) / 38'11" (36' 9")	
B Max. digging depth	m / ft in		4.20 (5.60) / 13' 9" (18' 4")	
C Min. dumping height	m / ft in		6.30 (5.15) / 20' 8" (16'11")	
D Max. dumping height	m / ft in		10.05 (8.30) / 33' (37' 3")	
E Max. cutting height	m / ft in		13.55 (11.50) / 44' 5" (37' 9")	

Forces

	1		2	
Stick digging force (ISO 6015)	kN / lbf		229 / 51,480	
Bucket digging force (ISO 6015)	kN / lbf		237 / 53,280	
Stick digging force (SAE J1179)	kN / lbf		218 / 49,010	
Bucket digging force (SAE J1179)	kN / lbf		212 / 47,660	

Max. bucket digging force ISO 300 kN / 67,440 lbf

Operating Weight and Ground Pressure

The operating weight includes the basic machine with counterweight 9.2 t / 20,280 lb, main boom 4.30 m / 14'1", HD stick 2.10 m / 6'11" and HD bucket 1.25 m³ / 1.63 yd³ (1,380 kg / 3,040 lb).

Undercarriage	VH-HD		LC-V		HD	
Pad width	mm / in		600 / 24"		600 / 24"	
Weight	kg / lb		63,600 / 140,210		56,100 / 123,680	
Ground pressure	kg/cm ² / psi		0.99 / 14.1		0.96 / 13.7	

Buckets Machine stability per ISO 10567* (75% of tipping capacity)

Cutting width	Capacity ISO 7451	Weight	VH-HD-Undercarriage (with track pads 600 mm / 24")		LC-V-Undercarriage (with track pads 600 mm / 24")		HD-Undercarriage (with track pads 600 mm / 24")	
			Stick length (m / ft in)		Stick length (m / ft in)		Stick length (m / ft in)	
			2.10 6'11"	2.60 8'6"	2.10 6'11"	2.60 8'6"	2.10 6'11"	2.60 8'6"
1,350 53"	1.50 1.96	1,470 3,240	▲	▲	▲	▲	▲	▲
1,500 59"	1.75 2.29	1,560 3,440	▲	▲	▲	▲	▲	▲
1,650 65"	2.00 2.62	1,700 3,750	▲	▲	▲	▲	▲	▲
1,650 65"	2.25 2.94	1,820 4,010	▲	▲	▲	▲	▲	■
1,850 73"	2.50 3.27	1,990 4,390	▲	▲	▲	■	■	■

* Indicated loads are based on ISO 10567, at maximum reach, and may be swung 360° on firm and even ground

Max. material weight ▲ = ≤ 2.0 t/m³ / 3,400 lb/yd³, ■ = ≤ 1.8 t/m³ / 3,000 lb/yd³, ■ = ≤ 1.5 t/m³ / 2,500 lb/yd³

Lift Capacities

with Main Boom 4.30 m / 14'1" (pinned in upper bearing), Counterweight 9.2 t / 20,280 lb and Track Pads 750 mm / 30"

Stick 2.10 m / 7'9"

Under-carriage	3.0 m / 10 ft		4.5 m / 15 ft		6.0 m / 20 ft		7.5 m / 25 ft		9.0 m / 30 ft		10.5 m / 35 ft		m / ft in	
12.0 m t / 40 ft lb														
10.5 m t / 35 ft lb					14.8*	14.8*						12.1*	12.1*	6.2
9.0 m t / 30 ft lb		16.9*	16.9*		17.6*	17.6*	14.8*	14.8*				10.4*	10.4*	7.9
7.5 m t / 25 ft lb		37.2*	37.2*	38.6*	38.6*	28.0*	28.0*					23.2*	23.2*	25'5"
6.0 m t / 20 ft lb		61.2*	61.2*	46.7*	46.7*	34.3	40.4*					21.5*	21.5*	29'2"
4.5 m t / 15 ft lb				21.2	24.1*	15.3	19.4*	11.7	16.7*			9.4*	9.4*	9.7
3.0 m t / 10 ft lb				14.6	20.3*	11.4	17.0*					20.7*	20.7*	31'8"
1.5 m t / 5 ft lb				13.8	20.4*	10.8	16.7					9.2	9.5*	10.3
0 m t / 0 ft lb				13.7	19.2*	10.8	15.8*					9.4	10.6*	10.0
-1.5 m t / -5 ft lb				25.5*	25.5*	29.5	41.6*	23.3	34.2*			20.8	23.5*	33'
						29.8	36.8*	23.6	29.4*			22.5	26.2*	31'4"
												16.3*	16.3*	
												11.8*	11.8*	6.2
												26.6*	26.6*	19'8"
												10.3*	10.3*	7.9
												22.9*	22.9*	25'5"
												8.5	9.6*	9.0
												19.0	21.3*	29'2"
												7.4	9.3*	9.7
												16.4	20.6*	31'8"
												6.8	9.3*	10.1
												15.0	20.5*	33'2"
												6.5	9.5*	10.3
												14.4	21.0*	33'11"
												6.5	10.0*	10.3
												14.3	22.0*	33'10"
												6.8	10.8*	10.0
												14.9	23.7*	33'
												7.4	11.9*	9.5
												16.4	26.3*	31'4"

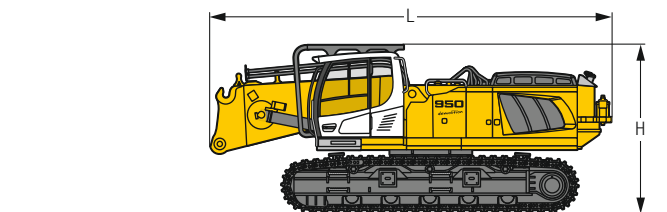
Stick 2.60 m / 8'6"

Under-carriage	3.0 m / 10 ft		4.5 m / 15 ft		6.0 m / 20 ft		7.5 m / 25 ft		9.0 m / 30 ft		10.5 m / 35 ft		m / ft in		
12.0 m t / 40 ft lb													12.1*	12.1*	4.6
10.5 m t / 35 ft lb													28.5*	28.5*	13'7"
9.0 m t / 30 ft lb													9.2*	9.2*	7.0
7.5 m t / 25 ft lb													20.8*	20.8*	22'5"
6.0 m t / 20 ft lb													8.2*	8.2*	8.5
4.5 m t / 15 ft lb													18.2*	18.2*	27'6"
3.0 m t / 10 ft lb													7.6*	7.6*	9.5
1.5 m t / 5 ft lb													16.9*	16.9*	31'
0 m t / 0 ft lb													7.4*	7.4*	10.6
-1.5 m t / -5 ft lb													9.1	9.5*	10.2
													16.3*	16.3*	33'4"
													19.3	22.6*	33'4"
													9.1	9.5*	10.6
													16.2*	16.2*	34'10"
													8.9	12.6*	10.8
													7.5*	7.5*	10.8
													19.3	22.6*	36'6"
													6.3	7.4*	10.6
													7.8*	7.8*	10.8
													19.1	23.2*	35'5"
													8.8	9.5*	10.5
													8.3*	8.3*	10.5
													18.3*	18.3*	34'7"
													9.2*	9.2*	10.1
													20.3*	20.3*	33'

Height
 Can be slewed through 360°
 In longitudinal position of undercarriage
 Max. reach
 * Limited by hydr. capacity

The load values are quoted in tons (t) / lb x 1,000 at stick end (without bucket), and may be swung 360° on firm and even ground. Adjacent values are valid for the undercarriage when in the longitudinal position. Capacities are valid for 750 mm / 30" wide track pads. Indicated loads are based on ISO 10567 standard and do not exceed 75% of tipping or 87% of hydraulic capacity (indicated via *). Without bucket cylinder, link and lever the lift capacities will increase by 625 kg / 1,380 lb. Lifting capacity of the excavator is limited by machine stability and hydraulic capacity.

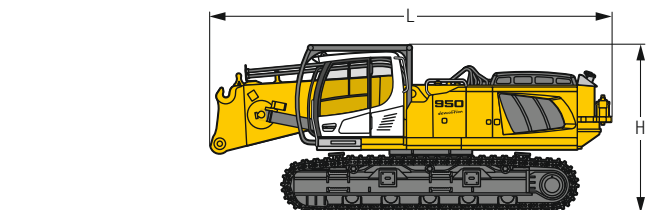
Dimensions and Weights



Basic Machine

without counterweight with cab tiltable 30° and integral protection grid

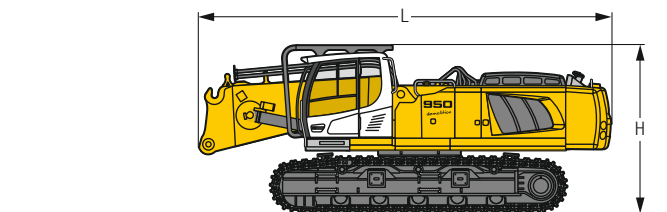
		VH-HD	LC-V	HD
L	mm/ft in	8,150/26'9"	8,150/26' 9"	8,150/26'9"
H	mm/ft in	3,395/11'2"	3,605/11'10"	3,500/11'6"
Weight	kg/lb	48,100/106,040	40,600/89,510	37,600/82,890



Basic Machine

without counterweight with cab tiltable 30° and integral protection grid on tilting device

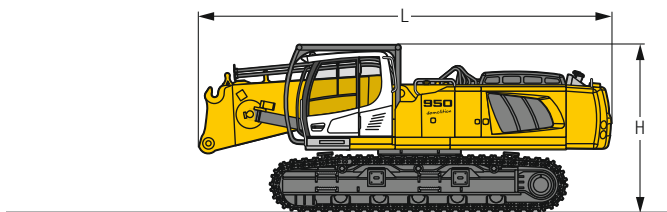
		VH-HD	LC-V	HD
L	mm/ft in	8,150/26'9"	8,150/26' 9"	8,150/26'9"
H	mm/ft in	3,395/11'2"	3,605/11'10"	3,500/11'6"
Weight	kg/lb	48,500/106,920	41,000/90,390	38,000/83,780



Basic Machine

with counterweight 9.2 t/20,280 lb, cab tiltable 30° and integral protection grid

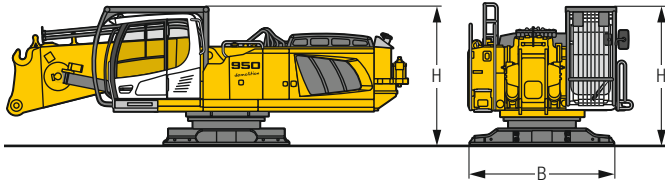
		VH-HD	LC-V	HD
L	mm/ft in	8,400/27'7"	8,400/27' 7"	8,400/27'7"
H	mm/ft in	3,395/11'2"	3,605/11'10"	3,500/11'6"
Weight	kg/lb	56,000/123,460	48,500/106,920	45,500/100,310



Basic Machine

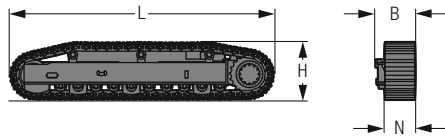
with counterweight 9.2 t/20,280 lb, cab tiltable 30° and integral protection grid on tilting device

		VH-HD	LC-V	HD
L	mm/ft in	8,400/27'7"	8,400/27' 7"	8,400/27'7"
H	mm/ft in	3,395/11'2"	3,605/11'10"	3,500/11'6"
Weight	kg/lb	56,400/124,340	48,900/107,810	45,900/101,190



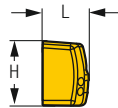
Basic Machine without side frames

B		mm / ft in	2,995 / 9'10"
H	Height	mm / ft in	2,810 / 9' 3"
	Weight	kg / lb	26,100 / 57,540



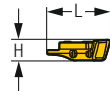
Side Frame for LC-V-Undercarriage

L	Length	mm / ft in	5,555 / 18' 3"
H	Height	mm / ft in	1,175 / 3'10"
N		mm / ft in	600 / 24"
B		mm / ft in	795 / 2' 7"
	Weight	kg / lb	7,400 / 16,310



Counterweight

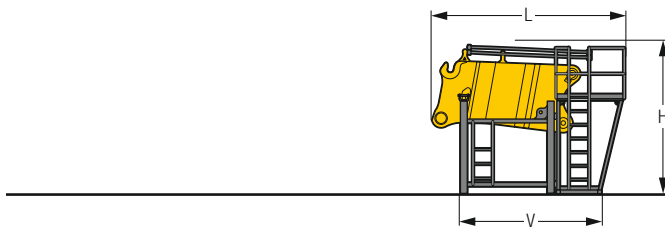
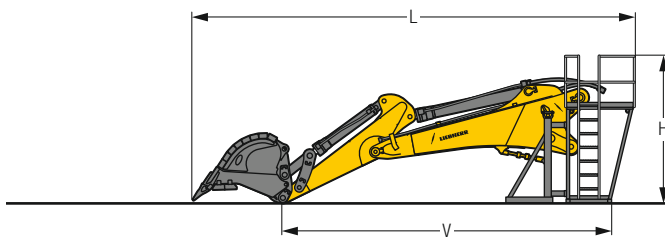
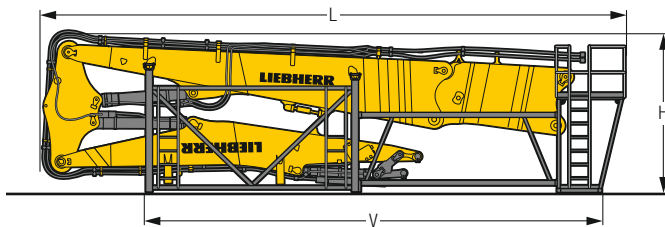
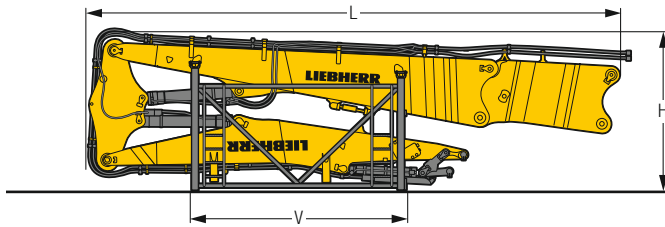
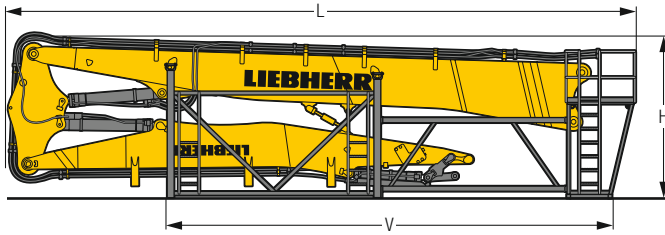
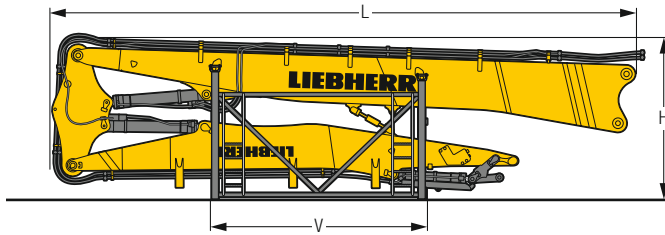
L	Length	mm / ft in	910 / 3'
H	Height	mm / ft in	1,290 / 4'3"
	Width	mm / ft in	2,970 / 9'9"
	Weight	kg / lb	7,900 / 17,420



Additional Counterweight

L	Length	mm / ft in	1,260
H	Height	mm / ft in	400
	Width	mm / ft in	2,990
	Weight	kg / lb	3,900

Dimensions and Weights



Demolition Equipment

with storage rack

		22.50 m/73'10"	25.00 m/82'	26.50 m/86'11"	27.50 m/90' 3"
L Length	mm/ft in	8,450/27' 9"	10,950/35'11"	10,920/35'10"	11,930/39' 2"
H Height	mm/ft in	3,300/10'10"	3,300/10'10"	3,300/10'10"	3,300/10'10"
V	mm/ft in	4,450/14' 7"	4,450/14' 7"	4,445/14' 7"	4,445/14' 7"
Width	mm/ft in	2,200/ 7' 3"	2,200/ 7' 3"	2,200/ 7' 3"	2,200/ 7' 3"
Weight without attachment	kg/lb	10,100/22,270	11,200/24,690	11,400/25,130	13,050/28,770

Demolition Equipment

with storage rack with catwalks

		22.50 m/73'10"	25.00 m/82'	26.50 m/86'11"	27.50 m/90' 3"
L Length	mm/ft in	9,500/31' 2"	11,850/38'11"	11,830/38'10"	12,840/42' 2"
H Height	mm/ft in	3,300/10'10"	3,300/10'10"	3,300/10'10"	3,300/10'10"
V	mm/ft in	6,200/20' 4"	9,150/30'	4,445/14' 7"	4,445/14' 7"
Width	mm/ft in	2,500/ 8' 2"	2,500/ 8' 2"	2,485/ 8' 2"	2,485/ 8' 2"
Weight without attachment	kg/lb	10,700/23,590	12,000/26,460	12,200/26,900	13,850/30,530

Demolition Equipment with Demolition Boom Extension

with storage rack

			25.00 m/82'
L Length	mm/ft in	10,950/35'11"	
H Height	mm/ft in	3,250/10' 8"	
V	mm/ft in	4,450/14' 7"	
Width	mm/ft in	2,200/ 7' 3"	
Weight without attachment	kg/lb	13,190/29,080	

Demolition Equipment with Demolition Boom Extension

with storage rack with catwalks

			25.00 m/82'
L Length	mm/ft in	12,000/39' 4"	
H Height	mm/ft in	3,250/10' 8"	
V	mm/ft in	8,700/28' 7"	
Width	mm/ft in	2,500/ 8' 2"	
Weight without attachment	kg/lb	14,110/31,110	

Backhoe Attachment

with storage rack with catwalks

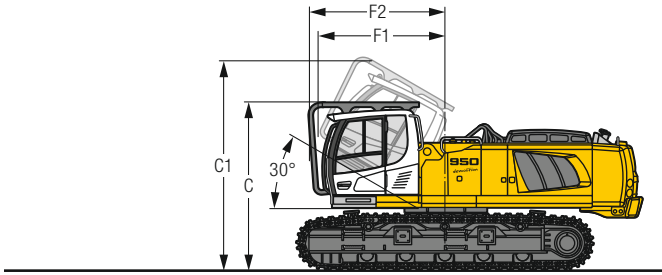
Main boom length	m/ft in	4.30/14'1"
Stick length	m/ft in	2.10/ 6'11"
L Length	mm/ft in	9,000/29' 6"
H Height	mm/ft in	3,020/ 9'11"
V	mm/ft in	6,700/22'
Width	mm/ft in	2,500/ 8' 2"
Weight without bucket	kg/lb	6,185/13,640

Demolition Boom Extension

with storage rack with catwalks

L Length	mm/ft in	3,950/13'
H Height	mm/ft in	3,150/10'4"
V	mm/ft in	2,925/ 9'7"
Width	mm/ft in	2,485/ 8'2"
Weight	kg/lb	4,160/9,170

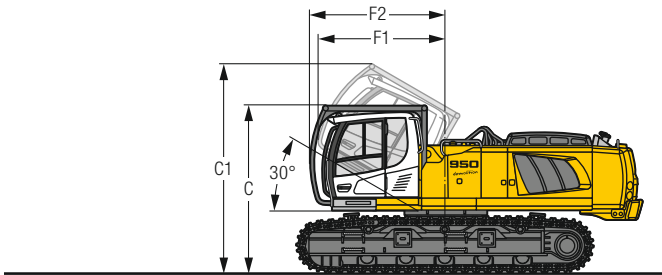
Choice of Cab Elevations



Version

with cab tiltable 30° and integral protection grid

		VH-HD	LC-V	HD
C	mm / ft in	3,395 / 11' 2"	3,605 / 11' 10"	3,500 / 11' 6"
C1	mm / ft in	4,240 / 13' 11"	4,450 / 14' 7"	4,345 / 14' 3"
F1	mm / ft in	2,540 / 8' 4"	2,540 / 8' 4"	2,540 / 8' 4"
F2	mm / ft in	2,770 / 9' 1"	2,770 / 9' 1"	2,770 / 9' 1"



Version

with cab tiltable 30° and integral protection grid on tilting device

		VH-HD	LC-V	HD
C	mm / ft in	3,395 / 11' 2"	3,605 / 11' 10"	3,500 / 11' 6"
C1	mm / ft in	4,240 / 13' 11"	4,450 / 14' 7"	4,345 / 14' 3"
F1	mm / ft in	2,570 / 8' 5"	2,570 / 8' 5"	2,570 / 8' 5"
F2	mm / ft in	2,730 / 8' 11"	2,730 / 8' 11"	2,730 / 8' 11"

Serial Equipment

Undercarriage

- Lashing eyes
- Sprocket double-toothed
- Track rollers, lifetime-lubricated

Uppercarriage

- Anti-skid surfaces
- Automatic swing brake lock
- Centralized lubrication system (automatic)
- Engine hood with gas spring opening
- Handrails
- Lockable fuel tank cap
- Lockable tool box
- Removable counterweight
- Sound insulation

Hydraulic System

- Filter with integrated fine filters
- High pressure circuit with Tool Control and LDC
- Hydraulic pressure measuring ports
- Medium pressure circuit
- Pressure accumulator for controlled lowering of equipment with engine turned off
- Shut-off valve between hydraulic tank and pumps

Engine

- Air filter with automatic dust ejector
- Automatic engine idling /speed increase, controlled via joystick sensors
- Common-Rail injection system
- Exhaust gas after-treatment system – DOC + DPF + SCR
- Fixed geometry turbocharger
- Fuel pre-filter and water separator
- Intercooler
- Power Pack US EPA Tier 4 Final

Operator's Cab

- 7" multifunction color touchscreen + demolition display for LDC
- Air conditioning, automatic, tri-zone, controlled via display
- Bottle holder
- Cab door sliding windows
- Cigarette lighter
- Coat hook
- DEF level on touchscreen
- Engine oil level on touchscreen
- Fuel level on touchscreen
- Hydraulic oil level on touchscreen
- Impact resistant one-piece windshield
- Impact resistant roof window
- Integral front wiper and washer
- Integral protection guard
- Interior lighting
- Left hand side view monitoring camera
- LIDAT Plus (Liebherr data transfer system)*
- Mechanical hour meters, visible from ground level
- Rear view monitoring camera
- Rear window emergency exit
- Right hand side view monitoring camera
- Roll-down sun blinds for windshield and roof window
- Roof wiper and washer
- Rubber floor mat, fixed on floor and removable
- Storage spaces
- Visco-elastic damping
- Work mode selector

Equipment

- Pipe fracture safety valves for boom cylinders
- Standard boom with quick change coupling

* optionally extendable after one year

Equipment Standard/Option

Undercarriage

Chain guide 1 piece	•
Chain guide 4 pieces	+
Chain guide full length	+
Chain scrapers	+
Special painting	+
Steps	•
Steps wide	+
Tracks, sealed and greased	•
Undercarriage HD	+
Undercarriage LC-V	+
Undercarriage VH-HD	+

Uppercarriage

Air compressor	+
Boxing ring	+
Catwalks tiltable left and right	+
Electric socket on uppercarriage (24 V)	+
Extended tool set including tool box	+
Fogging system	+
Headlight on uppercarriage, front right, LED, 1 piece, protection included	• ¹⁾
Headlight on uppercarriage, front right, LED+, 1 piece, protection included	+ ¹⁾
Headlight on uppercarriage, lateral right, LED+, 1 piece	+ ¹⁾
Headlights on uppercarriage, rear, LED+, 2 pieces	+ ¹⁾
Lighting for tank area ¹⁾	+
Lighting for uppercarriage access ¹⁾	+
Radiator fine mesh protection grid	+
Reversible fan drive	+
Rock protection (swing gear and lubrication pipes)	+
Special painting	+
Tank refilling pump fuel	+
Tool set including storage case	•
Transport device for the counterweight	+
Uppercarriage bottom and side protection	+

Hydraulic System

Bypass filter for hydraulic oil	+
Filter for hydraulic hammer return flow	+
High flow	+
Hydraulic for counterweight	+
Liebherr hydraulic oil	•
Liebherr hydraulic oil, adapted for extreme climate conditions	+
Liebherr hydraulic oil, biodegradable	+
Pre-heating system for hydraulic oil (240 V)	+

Engine

Automatic engine shutdown after idling	+
Pre-heating system for fuel, coolant and engine oil (240 V)	+

Operator's Cab

2" seat belt with retractor	•
3" seat belt with retractor, orange color	+
4-points seat belt	+
Acoustic travel alarm deactivatable	+
Additional air filtration	+
Air system for roof window cleaning	+
Auxiliary heater programmable	+
Coming/Leaving Home with lighting for cabin access	+
Cool box (12 V)	+
Dark tinted windows	+
Electrically adjustable and heated outside rear-view mirrors	+
Electronic immobilizer	+
Emergency stop in cab	+
Fire extinguisher	+
Footrest	+
Headlights on cab, front, LED, 2 pieces	• ¹⁾
Headlights on cab, front, LED+, 2 pieces	+ ¹⁾
Luminosity control (LED+ headlights) ¹⁾	+
Operator seat Comfort	•
Operator seat Premium	+
Radio Comfort	+
Radio pre-installation	•
Rotating beacon on cabin, LED, 1 piece	+
Sun visor	+

Equipment

Boom bottom protection	+
Bucket cylinder rod protection for backhoe equipment	+
Camera for equipment	+
Centralized lubrication extended for connecting link for backhoe equipment	+
Fogging system for backhoe equipment	+
Fogging system for demolition equipment	+
Headlight on boom, on each side, LED, 1 piece, protection included	• ¹⁾
Headlight on boom, on each side, LED+, 1 piece, protection included	+ ¹⁾
Headlights on equipment, LED, 4 pieces, protections included	•
Headlights on equipment, LED+, 4 pieces, protections included	+
High pressure circuit for backhoe equipment	+
Boom cylinder rods protection	+
LIKUFIX for quick coupler SWA 66 hydraulic	+
Medium pressure circuit for backhoe equipment	+
Overload warning system	+
Pipe fracture safety valve for stick cylinder for backhoe equipment	+
Quick coupler for standard boom	+
Quick coupler SWA 66 hydraulic	+
Quick coupler SWA 66 mechanical	+
Standard boom with multicouplers for demolition boom and backhoe equipment	+
Stick bottom protection	+
Storage rack with catwalks	+
Tool Management	+

• = Standard, + = Option

¹⁾ Equipment not individually available, but only as predefined lighting packages
Non-exhaustive list, please contact us for further information.

Options and/or special equipments, supplied by vendors other than Liebherr, are only to be installed with the knowledge and approval of Liebherr in order to retain warranty.

Notes

The Liebherr Group of Companies



Diverse Product Range

The Liebherr Group is one of the largest construction equipment manufacturers in the world. Liebherr's quality products and services hold a high reputation in many industries. The wide range includes domestic appliances, aerospace and transportation systems, machine tools and maritime cranes.

Exceptional Customer Benefit

Every product line provides a complete range of models in many different versions. With both their technical excellence and superior quality, Liebherr products offer customers the highest benefits in practical applications.

State-of-the-art Technology

Liebherr attributes great importance to the product areas of core technology and components, in order to achieve its consistent, top-quality products. Important modules and components are developed and manufactured in-house, for instance, the entire drive and control technology for the construction equipment and mining trucks.

Worldwide and Family-Owned

Hans Liebherr founded the Liebherr family company in 1949. Since that time, the enterprise has steadily grown to a group of more than 130 companies with more than 46,000 employees located on all continents. The corporate headquarters of the Group is Liebherr-International AG in Bulle, Switzerland. The Liebherr family is the sole owner of the company.

www.liebherr.us

Liebherr USA, Co.

Construction Equipment Division
4100 Chestnut Avenue, Newport News, VA 23607, USA
☎ +1 (757) 245 5251, Fax +1 (757) 928 8701
www.liebherr.us, E-Mail: Construction.USA@liebherr.com
www.facebook.com/LiebherrConstruction