

Material Handling Machines

LH 40 Industry

Litronic®

LH 50 Industry

Litronic®

Generation

6

Operating Weight

80,200 – 121,000 lb*

Engine

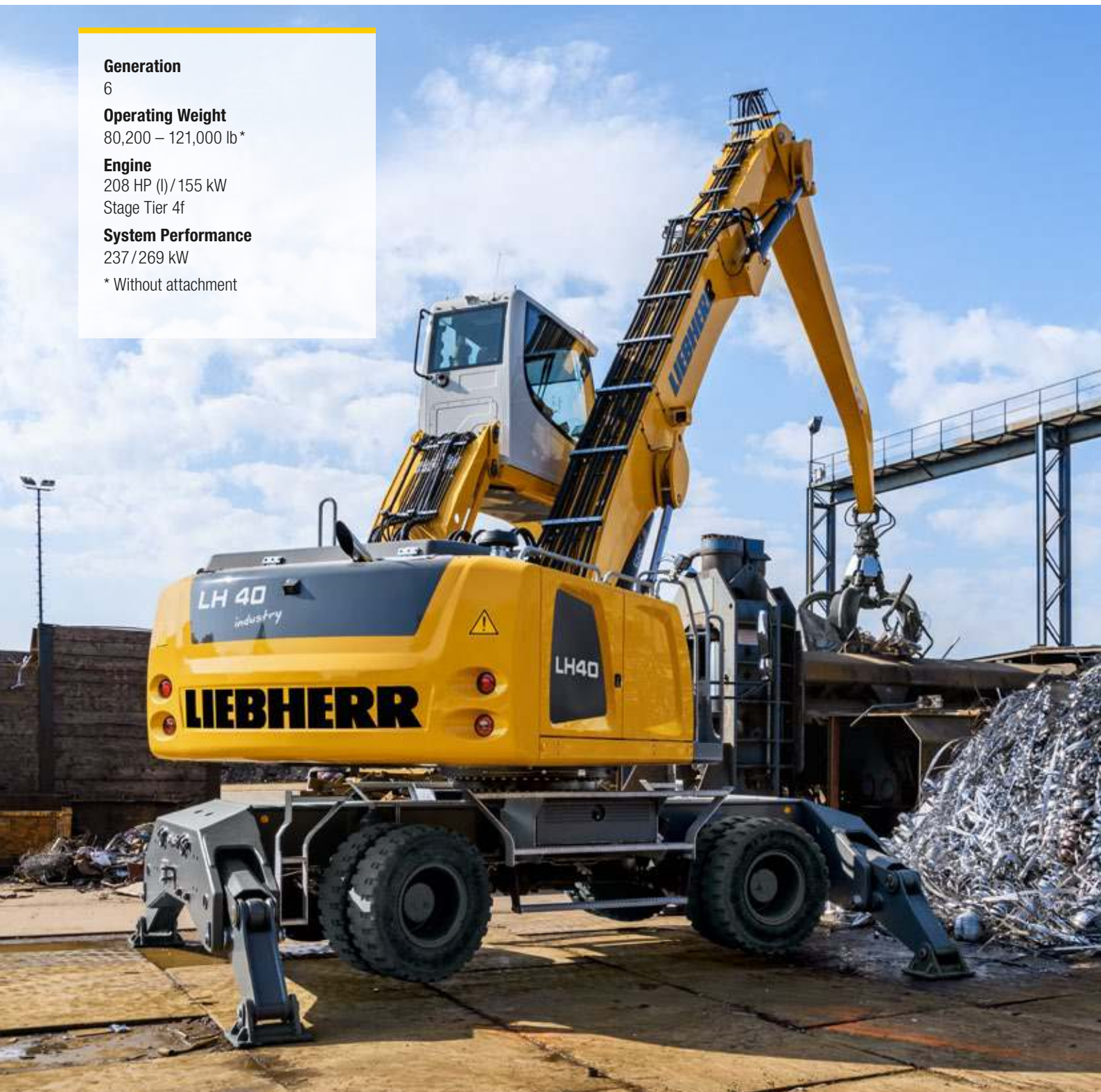
208 HP (I)/155 kW

Stage Tier 4f

System Performance

237 / 269 kW

* Without attachment



LIEBHERR

Performance

Power Plus Speed –
Redefined Performance

Economy

Good Investment –
Savings for Long-term

LH 40 M Industry Litronic

Operating Weight
80,200 – 85,300 lb*

Engine
208 HP (I) / 155 kW
Stage Tier 4f

System Performance 237 kW

LH 50 M Industry Litronic

Operating Weight
88,200 – 95,900 lb*

Engine
208 HP (I) / 155 kW
Stage Tier 4f

System Performance 269 kW

LH 40 C Industry Litronic

Operating Weight
82,900 – 90,200 lb*

Engine
208 HP (I) / 155 kW
Stage Tier 4f

System Performance 237 kW

LH 50 M High Rise Industry Litronic

Operating Weight
102,300 – 103,400 lb*

Engine
208 HP (I) / 155 kW
Stage Tier 4f

System Performance 269 kW

LH 50 C High Rise Industry Litronic

Operating Weight
117,500 – 121,000 lb*

Engine
208 HP (I) / 155 kW
Stage Tier 4f

System Performance 269 kW

* Without attachment



Reliability

Durability and Sustainability –
Quality Down to the Last Detail

Comfort

Perfection at a Glance –
When Technology is Comfortable

Maintainability

Efficiency Bonus – Even with
Maintenance and Service



Performance



Power Plus Speed – Redefined Performance

Liebherr has been designing and manufacturing market leading machines for material handling machines for over 50 years. The new generation of Liebherr handlers, the LH 40 and LH 50, are high performance yet economical machines specially designed for use in scrap recycling, in timber yards and also for bulk handling.

Maximum Handling Capacity

Increased Engine Output

Engine output has been increased from 140 kW to 155 kW compared to the predecessor models, giving the system more torque for more powerful and faster movement. Furthermore, the machine automatically compensates for load peaks, meaning full torque is available at all times for maximum handling capacity.

High Swing Torque

The separate hydraulic pump in the closed slewing circuit only supplies hydraulic fluid to the swing mechanism. The maximum delivery volume is thus available at any time for turning the uppercarriage for fast and dynamic rotational movements.

Energy Recovery System ERC

The energy saved by lowering of the equipment in the ERC is also available to the machine for the engine power. The resulting system performance for the LH 40 and LH 50 is 237 kW and 269 kW respectively. The result is more powerful, faster and smoother operating cycles, which lead to increased handling capacity.



Liebherr Diesel Engine

Compliant with Stage Tier 4f

- Powerful, robust and reliable
- Maximum torque even at low speeds to ensure fast movements with low fuel consumption
- Common-Rail injection system for maximum efficiency
- Emissions treatment with Liebherr SCR technology

Closed Slewing Circuit

- High torque for maximum acceleration and fast rotary movements
- Integrated speed sensor for controlling and monitoring braking movement for greater safety
- Greater fuel efficiency thanks to intelligent energy management in the closed system

Electrical Pilot Control

- Precision control irrespective of the ambient temperature for maximum precision
- Simpler and faster fault diagnostics for optimal availability
- Up to 5 individual driver profiles can be saved

Precision Operation

LSC Hydraulic System with Electrical Pilot Control

The new 2-circuit Liebherr-Synchron-Comfort-system (LSC) with LUDV technology (flow distribution independent of load pressure) ensures faster working movements with up to 20 % less fuel consumption in comparison to the predecessor models.

All work functions of the machine are controlled electrically, whereby the signals of the transmitters are only converted directly at the control block by hydraulic means. This technology enables end position damping of the equipment in order to protect the components and thus extend their service life. Simple, individual setting and adjustment of the working speed of boom, stick and slewing mechanism allow the driver to adjust the machine to each application and fully utilize the machine's capacity.

Firm and Stable Positioning

An essential prerequisite for precise working and maximum handling capacity is the firm and stable positioning of the machine. The design of the Liebherr undercarriage optimizes the way forces are induced on components to minimise stress and guarantee maximum stability and durability.

Economy



Good Investment – Savings for the Long-term

Liebherr material handling machines combine high productivity with excellent economy thanks to the use of in-house components as well as sophisticated engine technology and highly efficient demand-controlled hydraulics.

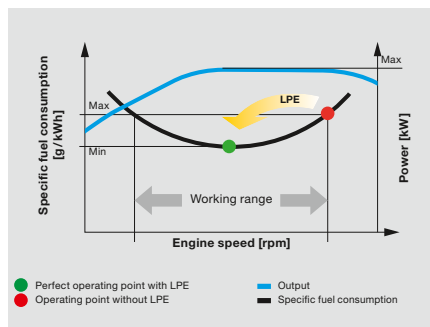
Fuel Efficiency

Engine Idling and Engine Shut-down

The standard automatic idling function reduces the engine speed to idle as soon as the operator takes his hand from the joystick so that no hydraulic function is activated. Proximity sensors in the joystick levers restore the original engine speed as soon as the operator's hand is moved towards the lever again. This ensures that the set engine speed is available immediately. The result is a combination of fuel saving and reduced noise levels. Operating costs can be reduced even further with the optional automatic engine shut-down function.

Closed Hydraulic Circuit for the Swing Mechanism

The closed slewing circuit feeds the braking energy back into the system when the uppercarriage is braked. Here, new standards are set in terms of efficiency and economy. Simple yet effective.



Increased Productivity

Energy Recovery System ERC

The ERC system not only brings about an enormous increase in performance and a higher handling capacity, but it also generates fuel savings of up to 30%, lower operating costs and reduces noise pollution.

Efficient Management

LiDAT, Liebherr's own data transmission and positioning system, facilitates efficient management, monitoring and control of the entire fleet in terms of machinery data recording, data analysis, fleet management and service. All of the important machinery data can be viewed at any time in a web browser. LiDAT offers you comprehensive work deployment documentation, greater availability thanks to shorter downtimes, faster support from the manufacturer, quicker detection of strain/overload and subsequently a longer service life of the machine as well as greater planning efficiency in your company. This service includes 1 year of use without charge as standard for the LH 40 and LH 50.

Low Fuel Consumption Thanks to Intelligent Machine Control

- Liebherr-Power Efficiency (LPE) optimizes the interaction of the drive components in terms of efficiency
- LPE enables machine operation in the area of the lowest specific fuel use for less consumption and greater efficiency with the same performance

Liebherr Attachments

- Robust and service-friendly slewing drive, can be turned 360°
- Optimum filling and clamping performance for effective material handling
- Finite element method (FEM) optimized for a perfect relationship between grapple weight, volume and a very long service life

ERC System

- Increased total power
- Higher handling capacity
- Fuel savings of up to 30 %
- Lower running costs
- Reduced pollutant and noise emissions

Reliability



Durability and Sustainability – Quality Down to the Last Detail

Every day Liebherr material handlers demonstrate their qualities in a range of industrial applications all over the world. Years of experience, continuous development and the latest technologies provide maximum safety in use. Their robust design and the use of components produced in-house ensure that the LH 40 and LH 50 are designed for a long service life.

More Safety

Pipe Fracture Safety Valves

The standard pipe fracture safety valves on the stick and hoist cylinders prevent the equipment from dropping in an unregulated way and ensure maximum safety during every operation.

Working Range Limiters

For operations in which the working range should be limited, the material handling machines can be specified with an optional working range limitation feature. Height, depth, width and proximity settings can be made to ensure that collisions and resulting component damage are avoided.

Overload Warning Device and Load Torque Limitation

The audible and visual overload warning system continuously tells the operator about the current load situation of the machine. Furthermore, load torque limitation automatically regulates the speed of the working hydraulics to allow the maximum load bearing capacity to be approached safely. In the event of an overload, the functions which could cause the machine to topple are disabled. Only movements back to the safe working range are then possible.



QPDM – Quality and Process Data Management

- QPDM allows production data to be logged, documented and evaluated
- Test specifications and machine documented automatically logged
- Ability to handle large quantities of data while maintaining uniform high quality

Piston Rod Protection

- Maximum protection of piston rod
- Robust construction of hot-dip galvanized steel for a long service life in tough applications
- Available for outriggers, hoist cylinders, ERC cylinder and tip cylinder as an option

Equipment

- Components enhanced using FEM for maximum service life even if subjected to heavy lateral stresses during demanding tasks
- Cables routed internally to protect them from damage
- High load capacities with long reaches
- Reaches up to 62 ft

High Machine Availability

Quality and Competence

Our experience, understanding of customer needs and the technical implementation of these findings guarantee the success of our products. For decades, Liebherr has been inspirational with its depth of production and system solutions. Key components such as the diesel engine, electronic components, slew ring, swivel drive and hydraulic cylinders are developed and produced by Liebherr itself. The great extent of in-house manufacturing guarantees maximum quality and ensures that components are optimally configured to each other.

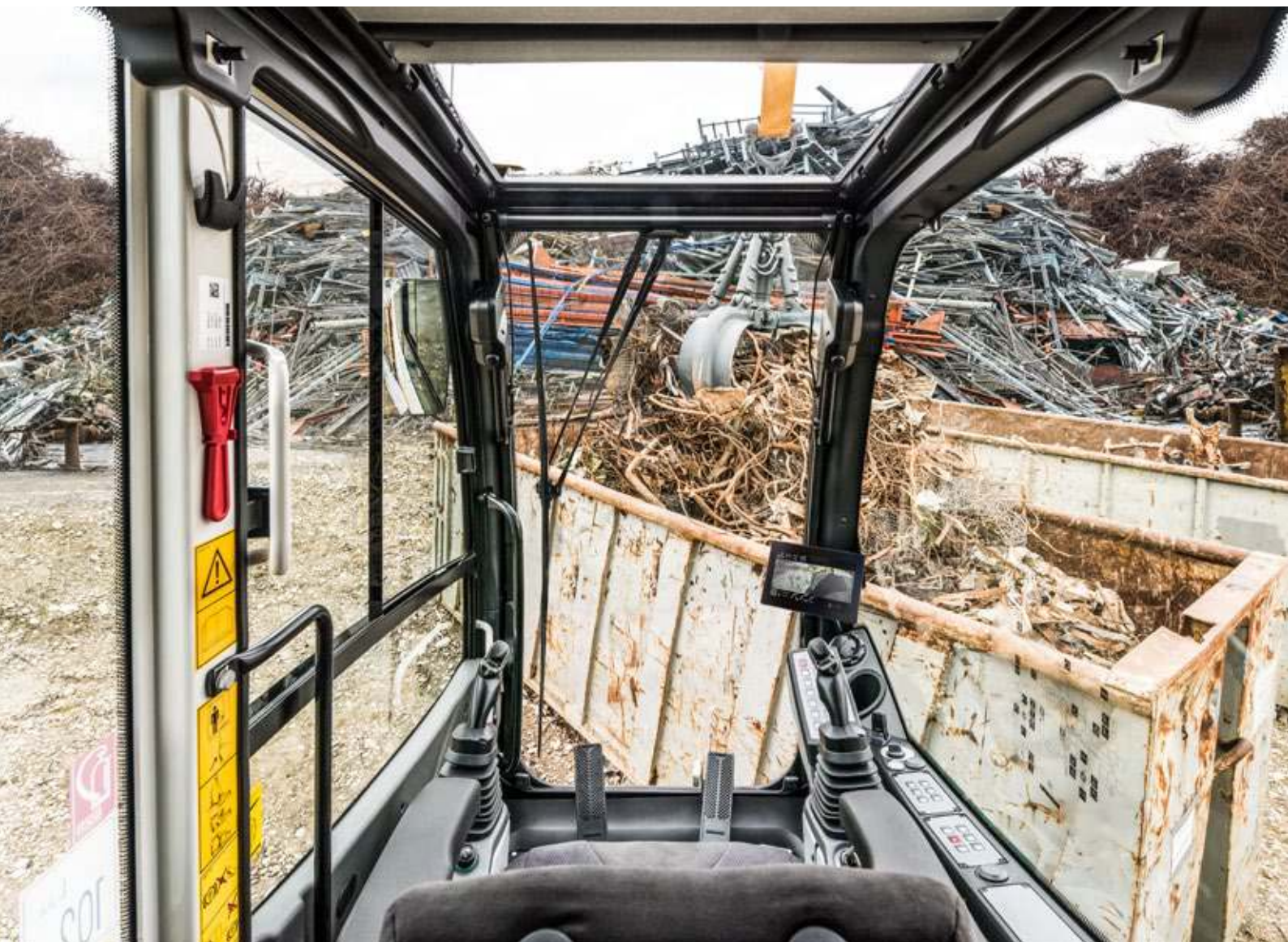
Robust Design

All steel components are designed and manufactured by Liebherr itself. High-strength steel plates configured for the toughest of requirements result in high torsional stiffness and optimum absorption of forces to give a longer service life.

Intelligent Self Diagnostics

The innovative control electronics permanently monitor the vital functions of the machine to guarantee a high level of machine availability. Components which are critical for safety have a secondary redundancy feature to guarantee maximum safety and reliability.

Comfort



Perfection at a Glance – When Technology is Comfortable

The newly designed operator's work station sets new standards in comfort. The Liebherr deluxe cab is spacious, has an ergonomic design and is very quiet. This ensures that the operator is able to fully focus throughout the working day.

Deluxe Cab

Ergonomic Design

The modern cab design provides excellent conditions for healthy, focussed and productive work in maximum comfort. The color touchscreen display, the controls and operator's comfort seat are all coordinated to form a perfect ergonomic unit. In addition, the ergonomic joysticks allow the machine operation to be both pleasant and precise.

Excellent All Around Vision

The large areas of glass, different versions of cab elevations and the rear and side area monitoring systems provide the operator with an excellent view of their working area and the zone around the machine. This perfect view enhances the operator's safety and ensures that they can handle the machine safely at all times.

Low Noise Levels

The use of viscoelastic mounts, good insulation and low-noise diesel engines from Liebherr minimizes noise emissions and vibrations. The noise levels of the LH 40 and LH 50 are just 70 dB(A) in the operator's cab and 103 dB(A) outside.

Comfortable Operation

Proportional Control

Precision control of the material handling machine is especially important in applications such as waste separation or scrap recycling. Thanks to the standard proportional control, even such demanding operations can be mastered with ease.

Joystick Steering and Stabilizing

The standard joystick steering gives the operator an additional comfort boost. The steering movement can be conveniently executed using the joystick, eliminating the need to reposition during the work cycle. Substituting the steering wheel in favor of joystick steering provides additional legroom and a clear view of the working area. A new standard feature is joystick control of the outriggers for more convenience and increased productivity.

Color Touchscreen Display and Operation Unit

The 7" color touchscreen display is intuitive in its operation and provides continuous information about all important operating data. The shortcut keys can be individually assigned and are selected quickly and easily with the menu strip.



Safe Access

- Foldable left arm console, as well as wide, non-slip steps, catwalks and platforms, and ergonomically positioned handles for easy and safe access
- All access systems are designed to national guidelines and statutory regulations
- Sliding door for comfortable entry with narrow platforms is available as an option

Operator's Seat Comfort with Adjustable Armrests

- Greater seating comfort due to variable damper hardness, lockable horizontal suspension, pneumatic lumbar support, seat heating and passive seat air conditioning for concentrated working
- Individual adjustment options for armrests, seat cushion depth, seat angle and head restraint for comfortable working

Joystick with Proportional Control

- Good functionality with streamlined, ergonomic design
- 4-way mini joystick can be used to control all operations e.g. steering, outriggers and attachments etc.
- Joysticks – each with two newly designed buttons and a rocker switch – increase the number of functions available.

Maintainability



Efficiency Bonus – Even with Maintenance and Service

The Liebherr LH 40 and LH 50 material handling machines are powerful, robust, precise and efficient. They also feature integral maintenance benefits as a result of their service-based design. All maintenance work for Liebherr material handlers can be carried out quickly, easily and safely. This minimizes the machine's maintenance costs and downtime.

Efficient Maintenance Concept

Your Competent Service Partner

Service-Based Machine Design

The service-based machine design guarantees short servicing times, thus minimising maintenance costs. All the service points are positioned in close proximity to one another, are easily accessible from the ground or on catwalks and platforms, and easy to reach thanks to the large, wide-opening service doors. This means that service work can be completed even more quickly and efficiently.

Integral Maintenance Benefits

Maintenance work helps to keep the machine fully functional. However this kind of work leads to machine downtimes which have to be minimized. With change intervals of up to 2,000 hours for engine oil and up to 8,000 hours for hydraulic oil, Liebherr has significantly reduced the amount of maintenance and increased the productivity of the material handlers. In addition, central lubrication systems minimize daily maintenance.

Remanufacturing

The Liebherr remanufacturing program offers cost-effective reconditioning of components to the highest quality standards. Various reconditioning levels are available: Replacement components, general overhaul or repair. The customer receives components with original part quality at a reduced cost.

Competent Advice and Service

Competent advice is a given at Liebherr. Experienced specialists provide decision guidance for your specific requirements: application-oriented sales support, service agreements, economical repair alternatives, original parts management, as well as remote data transmission for machine planning and fleet management.



Lubrication as it Works

- Fully automatic central lubrication system for uppercarriage and equipment
- Fully automatic central lubrication system for the undercarriage available as an option
- Lubricates without interrupting work to ensure better productivity and a long component service life

Excellent Service Access

- Large, wide-opening service doors
- Engine oil, fuel, air and cab air filters are easily and safely accessible from the ground or on catwalks and platforms
- The oil level in the hydraulic tank can be checked from the cab
- Short service times for more productivity

Rapid Spare Parts Service

- 24-hour delivery: Spare parts service is available for our dealers around the clock
- Electronic spare parts catalogue: Fast and reliable selection and ordering via the Liebherr online portal
- With online tracking, the current processing status of your order can be viewed at any time

Material Handling Machines Overview

Equipment

- High load capacities and long reaches thanks to optimized kinematic properties and robust construction for greater handling performance
- Energy recovery cylinder filled with nitrogen for maximum efficiency through less fuel consumption at more handling capacity
- Pipe fracture safety valves on hoist and stick cylinders and retract stick shut-off for maximum safety during every application
- Quick coupling systems and attachments made by Liebherr for maximum machine capacity utilization and greater handling performance

Operator's Cab

- Joystick steering without steering column is standard for convenient operation, greater legroom and clear view of the working area
- Less strain on the operator, workers and reduced environmental pollution due to lower noise emissions
- Optimum visibility thanks to large glass surfaces and standard rear and side area monitoring with camera
- Proportional control is standard with 4-way minijoystick for greater precision, high precision control and functions





Uppercarriage

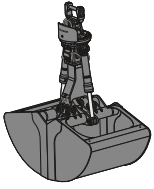
- 2-circuit Liebherr-Synchron-Comfort-system (LSC) with LUDV technology for faster working speed at up to 20% less fuel consumption
- 155 kW engine output and greater pump flow for fast work cycles, convincing dynamics and maximum handling performance
- Electrical pilot control enables individual settings for the operator and an end position damping of the equipment
- Reduction in operating costs thanks to built-in maintenance advantages and optimum service accessibility

Undercarriage

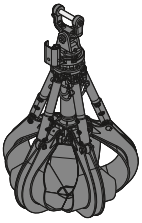
- Optimized hydraulics with closed slewing mechanism circuit for greater fuel efficiency and faster work cycles
- Central lubrication system (manual/full automatic) for more productive working time (optional available)
- Load-holding valves fitted as standard on all support cylinders for maximum stability in every application
- Less downtime thanks to maintenance-free support cylinders

The Perfect Solution for Every Application

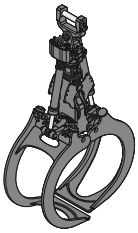
Attachments



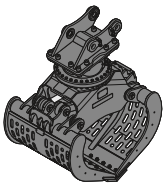
Shells for loose material



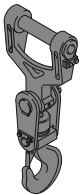
Multi-tine grab



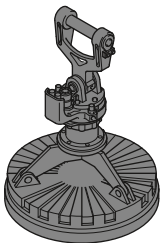
Wood grab



Sorting grab

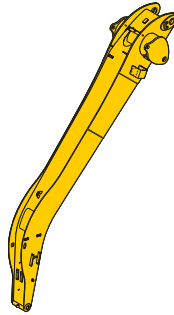


Load hook

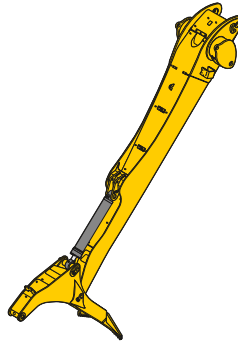


Magnet devices

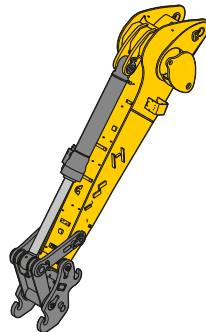
Sticks



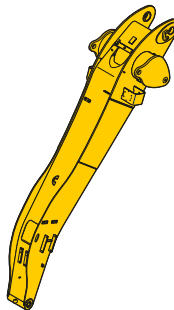
Angled stick



Stick with counterstay

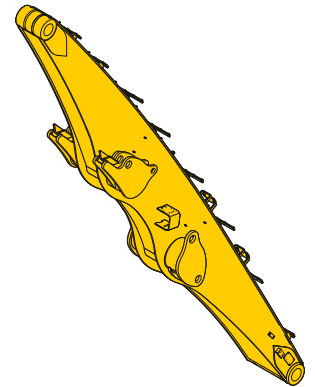


Stick for scrap shear

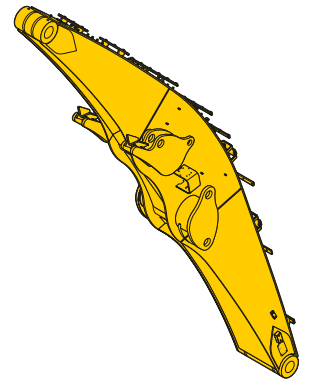


Flat angled stick

Booms

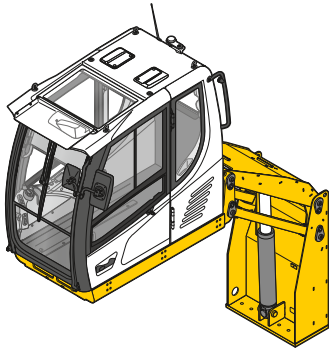


Straight boom



Angled boom

Cab Elevations

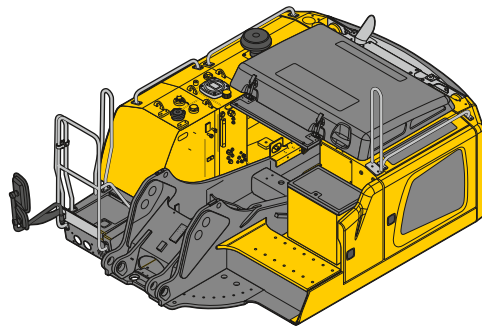


Hydraulic cab elevation

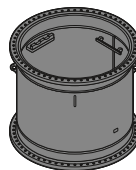


Rigid cab elevation

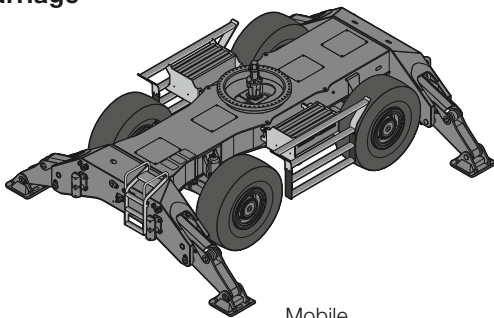
Uppercarriage



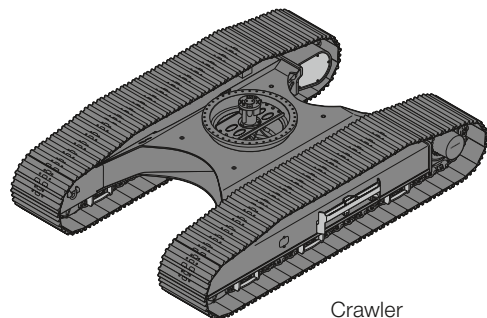
Turret Elevations



Undercarriage



Mobile



Crawler

Examples of Use



LH 50 M Industry Litronic in scrap handling operation



Container dismantling with the LH 40 M Industry Litronic



LH 50 M Industry Litronic in trailer operation when handling logs



Scrap handling with the LH 50 M Industry Litronic



Loading extruded aluminium bundles onto wagons with the LH 50 M Industry Litronic



Loading a concrete mixing plant with the LH 40 M Industry Litronic



LH 50 C High Rise Industry Litronic loading waste wood



LH 40 M Industry Litronic for disassembling steel girders with a scrap shear

Technical Data



Diesel Engine

Rating per SAE J1349/ISO 9249	208 HP (l) (155 kW) at 1,800 rpm
Model	Liebherr D934
Type	4 cylinder in-line
Bore/Stroke	4.8/5.9 in
Displacement	427,17 in ³
Engine operation	4-stroke diesel Common-Rail turbo-charged and after-cooled reduced emissions
Air cleaner	dry-type air cleaner with pre-cleaner, primary and safety elements
Engine idling	sensor controlled
Electrical system	
Voltage	24 V
Batteries	2 x 180 Ah/ 12 V
Alternator	three-phase current 28 V/ 140 A
Stage Tier 4f	
Harmful emissions values	in accordance with EPA/CARB-40CFR stage Tier 4f
Emission control	Liebherr-SCR technology
Fuel tank	122 gal
Urea tank	17 gal



Cooling System

Diesel engine	water-cooled compact cooling system consisting cooling unit for water, hydraulic oil and charge air with stepless thermostatically controlled fan
----------------------	--



Hydraulic Controls

Power distribution	via control valves with integrated safety valves, simultaneous actuation of chassis and equipment. Swing drive in separate closed circuit
Servo circuit	
Equipment and swing	with electro-hydraulic pilot control and proportional joystick levers
Chassis	
Mobile	electroproportional via foot pedal
Crawler	with electric proportionally functioning foot pedals or adjusted with plugable levers
Additional functions	via switch or electroproportional foot pedals
Proportional control	proportionally acting transmitters on the joysticks for additional hydraulic functions



Hydraulic System

Hydraulic pump	for equipment and travel drive	2 Liebherr axial piston variable displacement pumps (double construction)
Max. flow		2 x 63 gpm
Max. pressure		5,076 psi
for swing drive		reversible axial piston variable displacement pump, closed-loop circuit
Max. flow		38 gpm
Max. pressure		5,366 psi
Hydraulic pump regulation and control		2 circuit Liebherr-Synchron-Comfort-system (LSC) with electronic engine speed sensing regulation, pressure and flow compensation, automatic oil flow optimizer
Hydraulic tank		75 gal
Hydraulic system		155 gal
Hydraulic oil filter		1 main return filter with integrated partial micro filtration (5 µm)
MODE selection		adjustment of engine and hydraulic performance via a mode pre-selector to match application, e.g. for especially economical and environmentally friendly operation or for maximum material handling and heavy-duty jobs
S (Sensitive)		mode for precision work and lifting through very sensitive movements
E (Eco)		mode for especially economical and environmentally friendly operation
P (Power)		mode for high performance with low fuel consumption
P+ (Power-Plus)		mode for highest performance and for very heavy duty applications, suitable for continuous operation
Engine speed and performance setting		stepless alignment of engine output and hydraulic power via engine speed
Option		Tool Control: 20 preadjustable pump flows and pressures for add-on attachments
Swing Drive		
Drive		Liebherr axial piston motor in a closed system, Liebherr planetary reduction gear
Swing ring		Liebherr, sealed race ball bearing swing ring, internal teeth
Swing speed		0 – 7.5 rpm stepless (LH 40) 0 – 8.0 rpm stepless (LH 50) 0 – 6.5 rpm stepless (High Rise)
Swing torque		61,955 lbf ft
Holding brake		wet multi-disc (spring applied, pressure released)
Option		slewing gear brake Comfort



Operator's Cab

Cab	TOPS safety cab structure (tip-over protection) with individual windscreens or featuring a slide-in subpart under the ceiling, work headlights integrated in the ceiling, a door with a sliding window (can be opened on both sides), large stowing and depositing possibilities, shock-absorbing suspension, sounddamping insulating, tinted laminated safety glass, separate shades for the sunroof window and windscreen
High Rise	deviating from standard: safety cab structure with fixed built-in front and roof window made from impact-resistant laminated safety glass
Operator's seat Comfort	air cushioned operator's seat with 3D-adjustable armrests, headrest, lap belt, seat heater, adjustable seat cushion inclination and length, lockable horizontal suspension, automatic weight adjustment, adjustable suspension stiffness, pneumatic lumbar vertebrae support and passive seat climatisation with active coal
Operator's seat Premium (Option)	in addition to operator's seat comfort: active electronic weight adjustment (automatic re-adjustment), pneumatic low frequency suspension and active seat climatisation with active coal and ventilator
Control system	joysticks with control consoles and swivel seat, folding left control console
Operation and displays	large high-resolution operating unit, self-explanatory, color display with touchscreen, video-compatible, numerous setting, control and monitoring options, e.g. air conditioning control, fuel consumption, machine and attachment parameters
Air-conditioning	automatic air-conditioning, recirculated air function, fast de-icing and demisting at the press of a button, air vents can be operated via a menu; recirculated air and fresh air filters can be easily replaced and are accessible from the outside; heating-cooling unit, designed for extreme outside temperatures, sensors for solar radiation, inside and outside temperatures



Equipment

Type	high-strength steel plates at highly stressed points for the toughest requirements. Complex and stable mountings of equipment and cylinders
Hydraulic cylinders	Liebherr cylinders with special sealing and guide system and, depending on cylinder type, shock absorption
Energy recovering cylinder	Liebherr gas cylinder with special sealing and control system
Bearings	sealed, low maintenance



Undercarriage

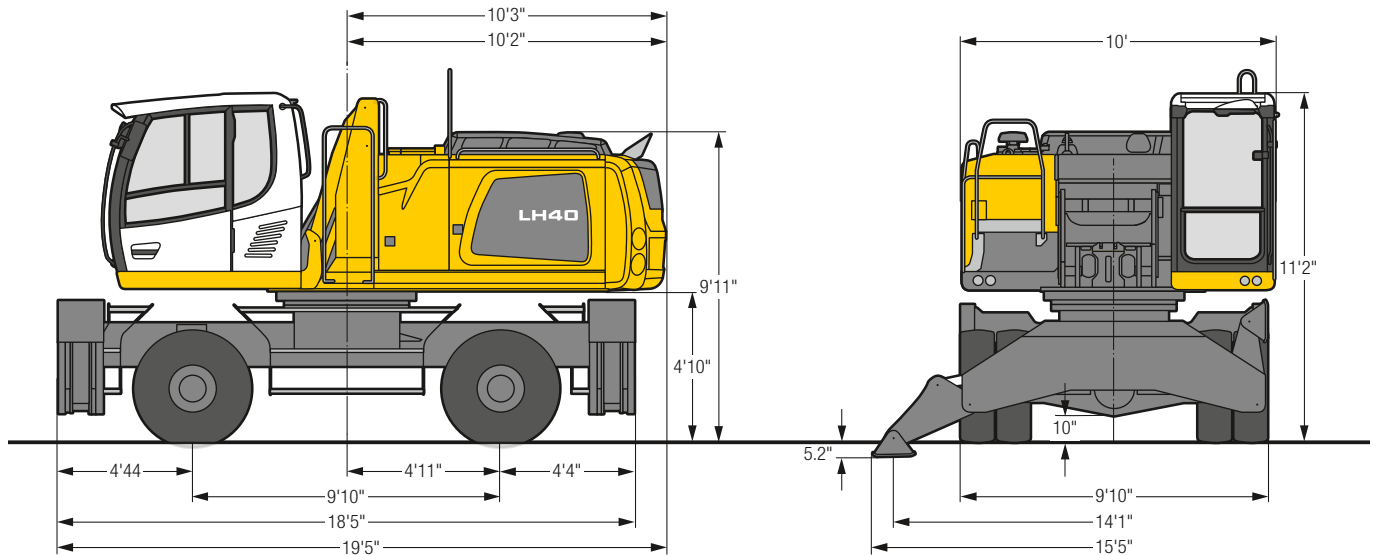
Mobile	
Version	High Rise
Drive	oversized two speed power shift transmission with additional creeper speed, Liebherr axial piston motor with functional brake valve on both sides
Travel speed	
Joystick steering	0 – 1.9 mph stepless (creeper speed + transmission stage 1) 0 – 3.1 mph stepless (transmission stage 1) 0 – 7.5 mph stepless (creeper speed + transmission stage 2) 0 – 7.5 mph stepless (transmission stage 2)
Wheel steering (Option)	0 – 1.9 mph stepless (creeper speed + transmission stage 1) 0 – 3.1 mph stepless (transmission stage 1) 0 – 7.5 mph stepless (creeper speed + transmission stage 2) 0 – 7.5 mph stepless (transmission stage 2, only for High Rise) 0 – 12.4 mph stepless (transmission stage 2, not for High Rise)
Driving operation	automotive driving using accelerator pedal, cruise control function: storage of variable accelerator pedal positions
Axes	132,277 lb / 154,324 lb drive axles (LH 40 M / LH 50 M); manual or automatic hydraulically controlled front axle oscillation lock
Option	four wheel steering (LH 40 M)
Option	steering reversal control (LH 40 M)
Service brake	two circuit travel brake system with accumulator; wet and backlash-free disc brake
Holding brake	wet multi-disc (spring applied, pressure released)
Stabilization	4 point outriggers
Option	dozer blade, at the front, for 4 point outriggers (not for High Rise)
Crawler	
Versions	EW, High Rise
Drive	Liebherr compact planetary reduction gear with Liebherr axial piston motor per side of undercarriage
Travel speed	0 – 1.9 mph stepless (creeper speed) 0 – 2.7 mph stepless High Rise: 0 – 1.4 mph stepless (creeper speed) 0 – 2.3 mph stepless
Brake	functional brake valves on both sides
Holding brake	wet multi-disc (spring applied, pressure released)
Track pads	triple grouser, flat
Tracks	sealed and greased



Complete Machine

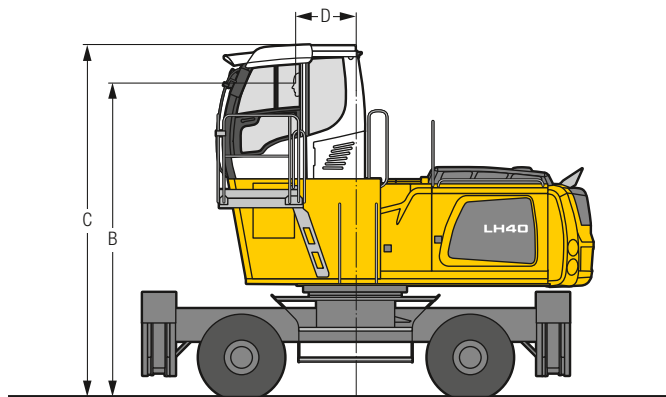
Lubrication	Liebherr central lubrication system for upper-carriage and equipment, automatically
Mobile (Option)	Liebherr central lubrication system for under-carriage, automatically
Steps system	safe and durable access system with anti-slip steps main components hot-galvanized
Noise emission	
ISO 6396	L_{pA} (inside cab) = 70 dB(A)
2000/14/EC	L_{WA} (surround noise) = 103 dB(A)

LH 40 M – Dimensions



LH 40 M – Choice of Cab Elevation

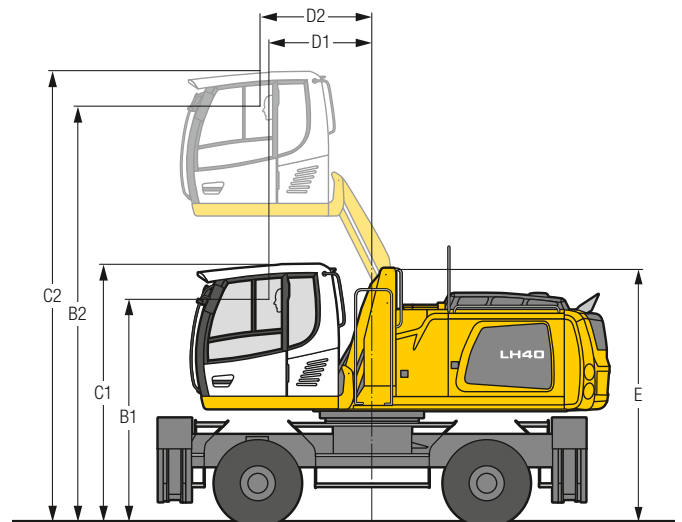
Cab Elevation LFC (Rigid Elevation)



Increase type	LFC 120
Height	3' 11"
B	13' 7"
C	15' 3"
D	2' 7"

A rigid cab elevation has a fixed eye level height. For a lower transport height, the shell of the cab can be removed and replaced by a transport device. The dimension C is in this machine design for all rigid cab elevations 12'3".

Cab Elevation LHC (Hydraulic Elevation)

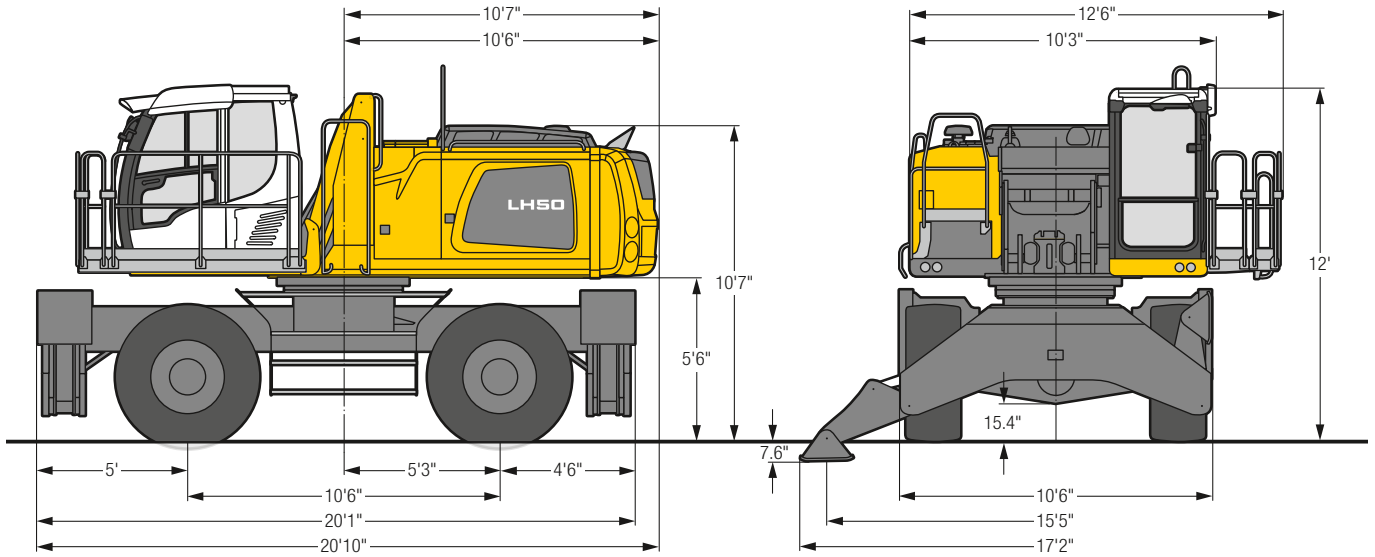


Increase type	LHC 255
B1	9' 8"
B2	18'
C1	11' 2"
C2	19' 6"
D1	4' 5"
D2	4' 10"
E	11'

The hydraulically adjustable cab allows the driver, that he can choose his field of view freely and at any time within the stroke.

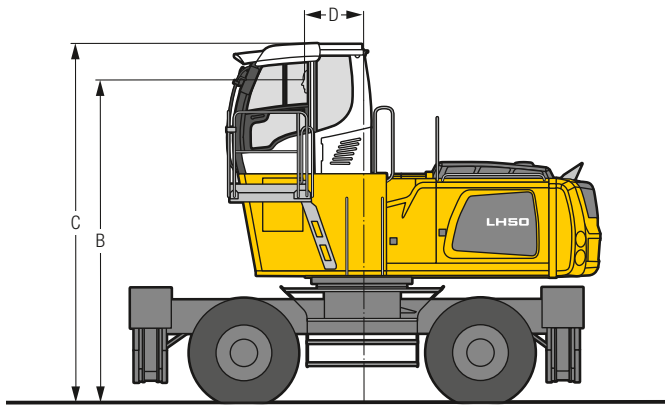
Tires 12.00-20

LH 50 M – Dimensions



LH 50 M – Choice of Cab Elevation

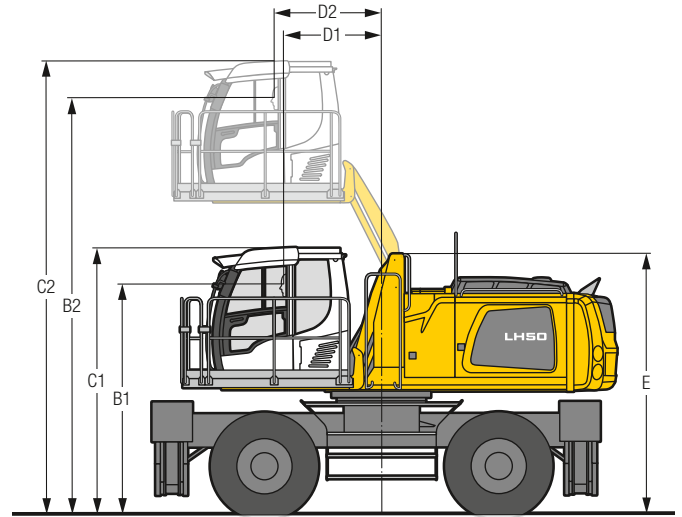
Cab Elevation LFC (Rigid Elevation)



Increase type	LFC 120
Height	3'11"
B	14' 3"
C	15'11"
D	2' 7"

A rigid cab elevation has a fixed eye level height. For a lower transport height, the shell of the cab can be removed and replaced by a transport device. The dimension C is in this machine design for all rigid cab elevations 13'.

Cab Elevation LHC (Hydraulic Elevation)

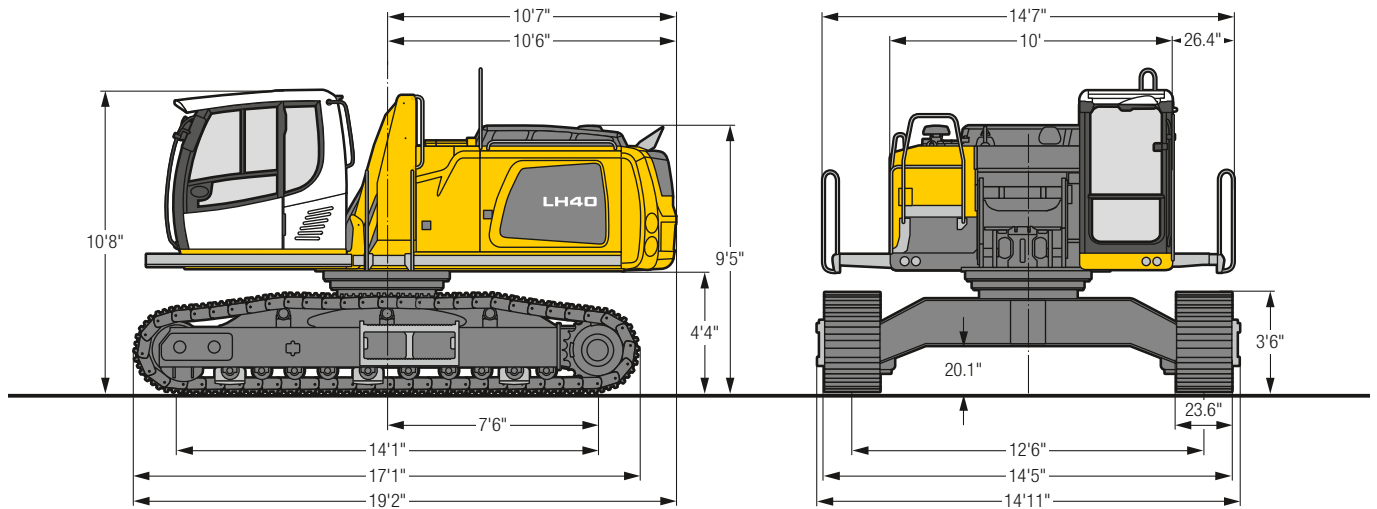


Increase type	LHC 255	LHC 340-35
B1	10' 4"	11' 6"
B2	18' 8"	22' 8"
C1	12'	13' 1"
C2	20' 4"	24' 4"
D1	4' 5"	8' 1"
D2	4'10"	8' 1"
E	11' 8"	12'11"

The hydraulically adjustable cab allows the driver, that he can choose his field of view freely and at any time within the stroke.

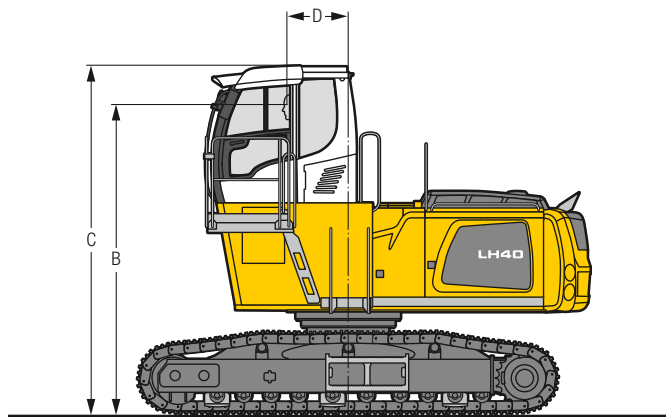
Tires 16.00-25

LH 40 C – Dimensions



LH 40 C – Choice of Cab Elevation

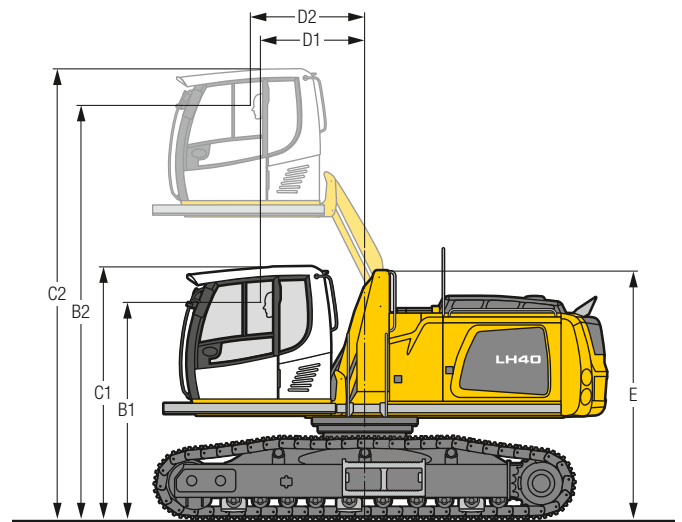
Cab Elevation LFC (Rigid Elevation)



Increase type	LFC 120
Height	3'11"
B	13' 1"
C	14' 8"
D	2' 7"

A rigid cab elevation has a fixed eye level height. For a lower transport height, the shell of the cab can be removed and replaced by a transport device. The dimension C is in this machine design for all rigid cab elevations 11'9".

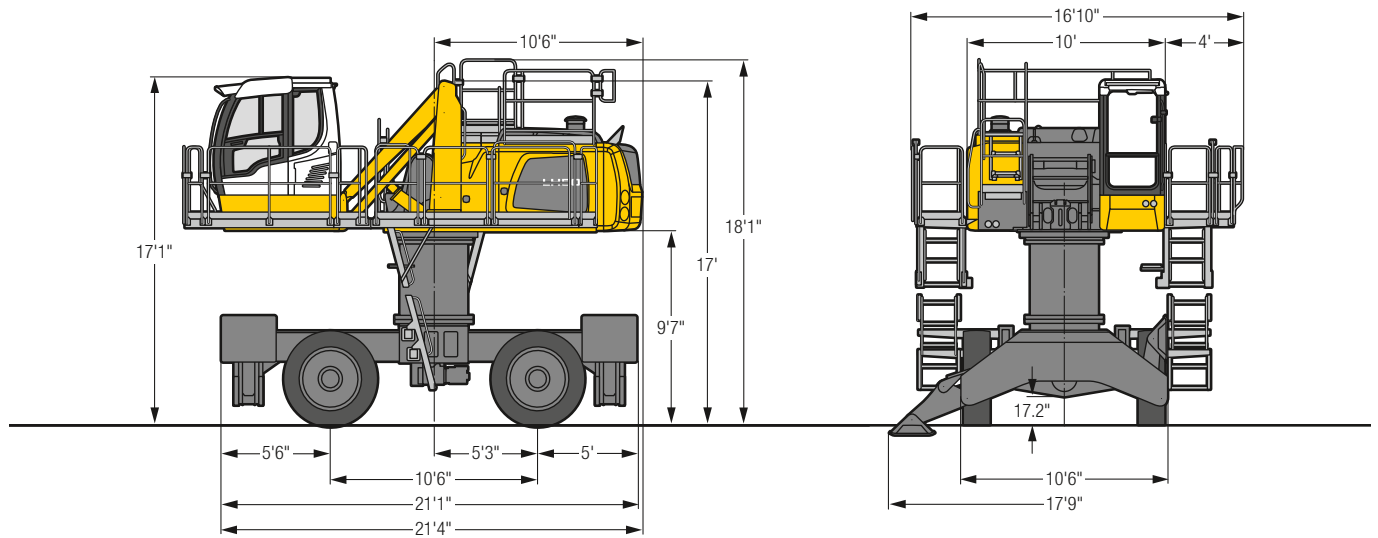
Cab Elevation LHC (Hydraulic Elevation)



Increase type	LHC 255
B1	9' 1"
B2	17' 6"
C1	10' 8"
C2	19'
D1	4' 5"
D2	4'10"
E	10' 5"

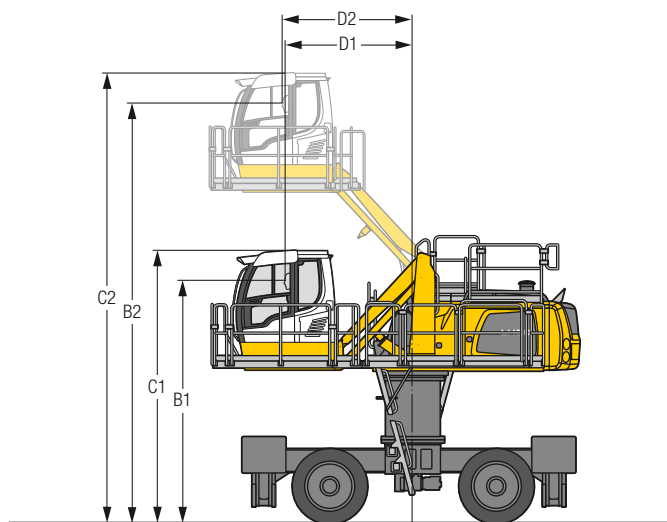
The hydraulically adjustable cab allows the driver, that he can choose his field of view freely and at any time within the stroke.

LH 50 M HR – Dimensions



LH 50 M HR – Cab Elevation

Cab Elevation LHC (Hydraulic Elevation)

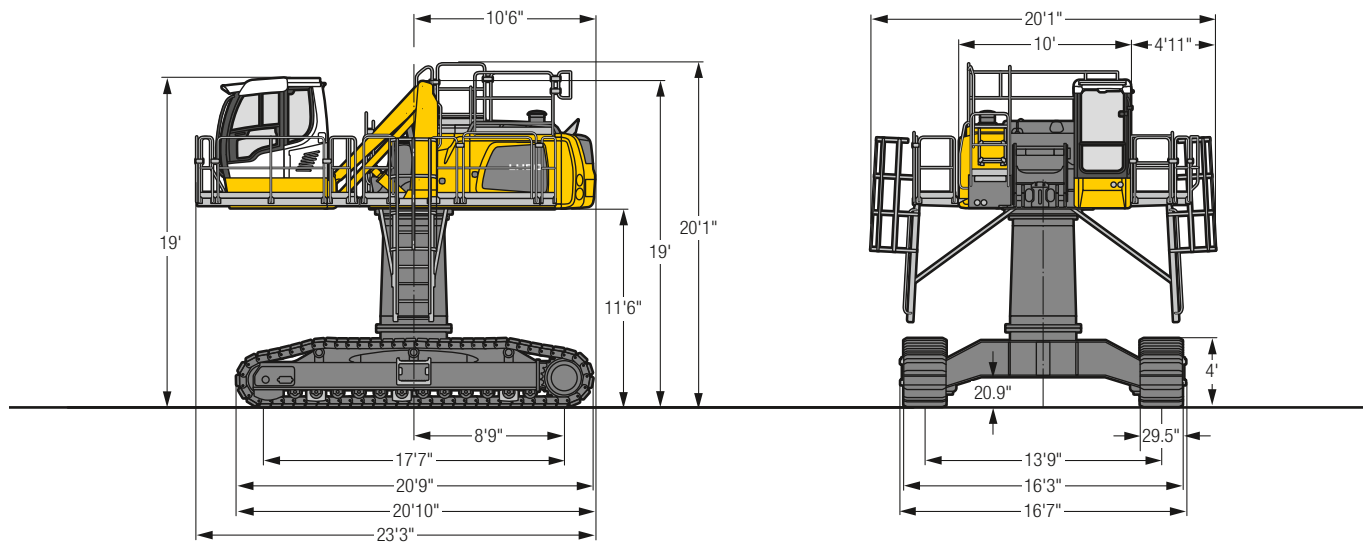


Increase type	LHC 340-35
B1	15'4"
B2	26'6"
C1	17'1"
C2	28'3"
D1	8'
D2	8'2"

The hydraulically adjustable cab allows the driver, that he can choose his field of view freely and at any time within the stroke.

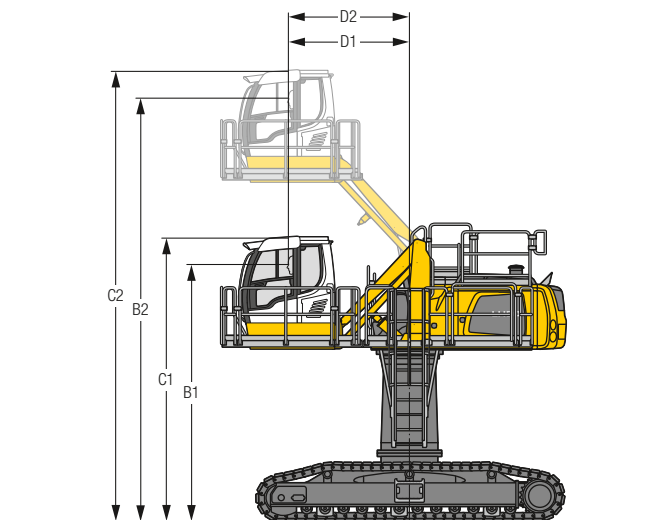
Tires 16.00-25

LH 50 C HR – Dimensions



LH 50 C HR – Cab Elevation

Cab Elevation LHC (Hydraulic Elevation)

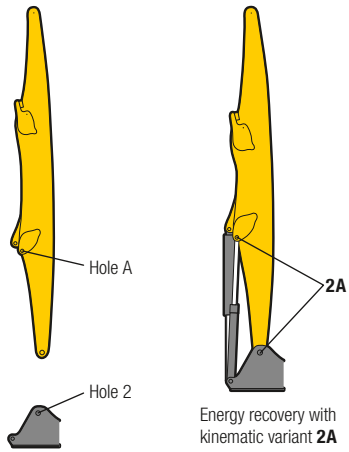


Increase type	LHC 340-35
B1	17'3"
B2	28'5"
C1	19'
C2	30'3"
D1	8'2"
D2	8'2"

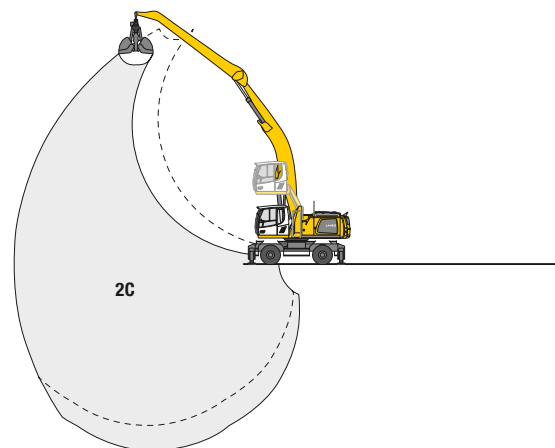
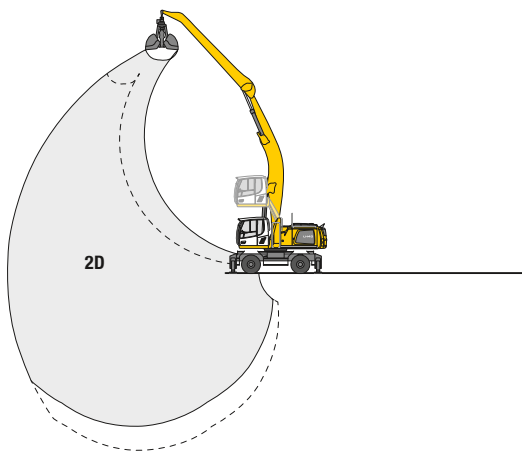
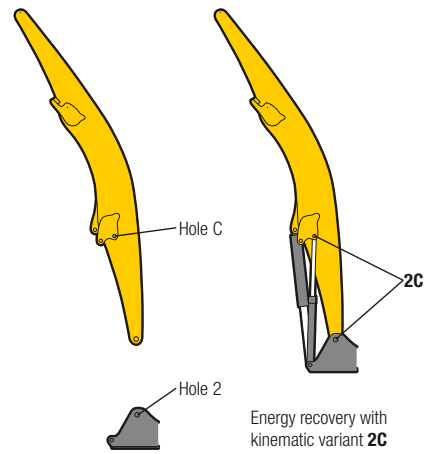
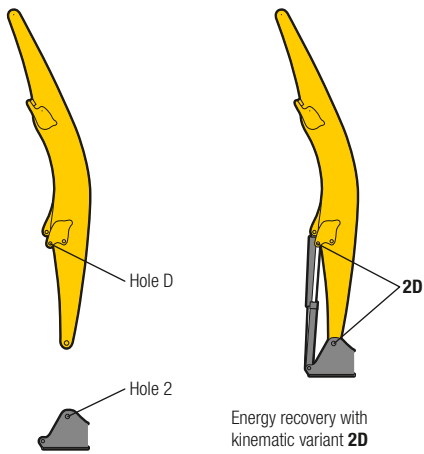
The hydraulically adjustable cab allows the driver, that he can choose his field of view freely and at any time within the stroke.

Kinematic Variants

Kinematic Variant 2A



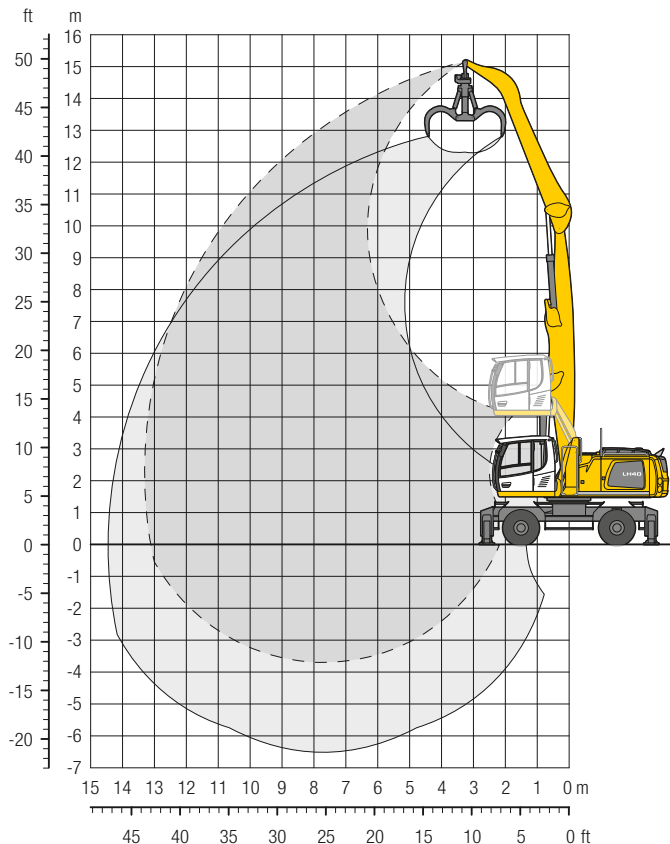
Kinematic Variant 2D/2C



Altered range curve with additional reach depth, e.g. for unloading from ships

LH 40 M – Equipment GA13

Industry – Kinematic 2A

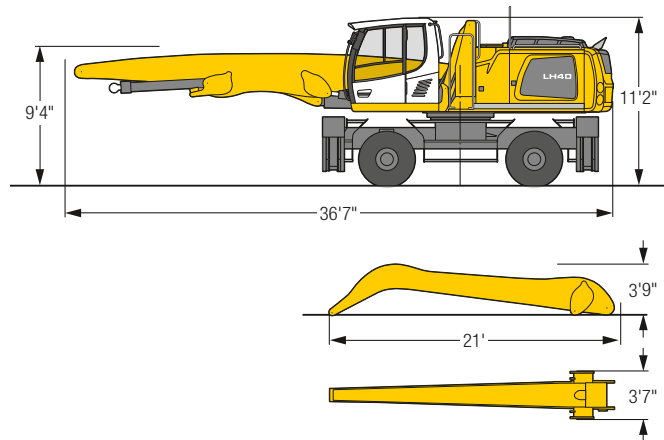


Operating Weight

The operating weight includes the basic machine with 4 point outriggers, hydr. cab elevation, 8 solid tires plus intermediate rings, straight boom 24'11", angled stick 19'8" and multi-tine grab GM 70C/1.05 yd³ semi-closed tines.

Weight 84,200 lb

Dimensions



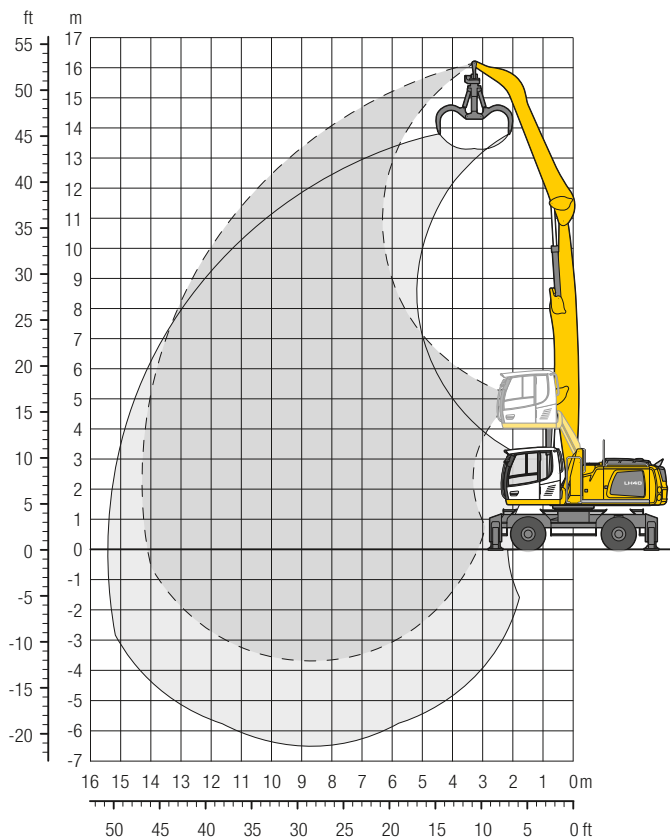
ft	15 ft		20 ft		25 ft		30 ft		35 ft		40 ft		45 ft		50 ft		55 ft		ft in			
	Stabilizers raised	4 pt. outriggers down	Stabilizers raised	4 pt. outriggers down	Stabilizers raised	4 pt. outriggers down	Stabilizers raised	4 pt. outriggers down	Stabilizers raised	4 pt. outriggers down	Stabilizers raised	4 pt. outriggers down	Stabilizers raised	4 pt. outriggers down	Stabilizers raised	4 pt. outriggers down	Stabilizers raised	4 pt. outriggers down	Stabilizers raised	4 pt. outriggers down		
50																						
45			18,3*	18,3*																15,3*	15,3*	22' 2"
40			18,3*	18,3*	20,5	21,5*	14,1	17,9											10,6	12,9*	29' 1"	
35			21,5*	21,5*	18,3*	18,3*	14,5	18,3*	10,5	13,4									8,1	10,6	33' 11"	
30					18,3*	18,3*	14,5	18,2*	10,5	13,5	7,9	10,2							11,7*	11,7*	37' 5"	
25					18,2*	18,2*	14,5	18,2*	10,5	13,5	14,9*	14,9*							6,8	8,9	40'	
20			20,3	21,4*	14,2	18,0	10,4	13,3	7,8	10,2	5,9	7,9							5,9	7,9	40'	
15			21,4*	21,4*	18,6*	18,6*	16,5*	16,5*	14,9*	14,9*	10,8*	10,8*							10,7*	10,7*	40'	
10			19,4	22,6*	13,6	17,4	10,0	12,9	7,6	10,0	5,9	7,9							5,3	7,2	41' 11"	
5			22,6*	22,6*	19,3*	19,3*	16,9*	16,9*	15,0*	15,0*	12,4	13,4*							10,6*	10,6*	41' 11"	
0			28,1	31,0*	18,0	23,4	12,7	16,5	9,5	12,4	7,3	9,7	5,8	7,7					5,0	6,7	43'	
-5			31,0*	31,0*	24,4*	24,4*	20,2*	20,2*	17,4*	17,4*	15,2*	15,2*	12,3	13,4*					10,6*	10,6*	43'	
-10			24,7	33,5	16,3	21,6	11,8	15,5	9,0	11,8	7,0	9,3	5,6	7,5					4,8	6,5	43' 7"	
			34,9*	34,9*	26,3*	26,3*	21,2*	21,2*	17,9*	17,9*	14,8	15,4*	12,1	13,2*					10,6	10,8*	43' 7"	
			21,5	30,1	14,7	19,9	10,9	14,6	8,4	11,2	6,7	9,0	5,4	7,3					4,7	6,4	43' 7"	
			37,5*	37,5*	27,6*	27,6*	21,9*	21,9*	18,1	18,1*	14,5	15,3*	11,9	12,9*					10,5	10,6*	43'	
			19,6	22,0*	13,5	18,6	10,1	13,8	7,9	10,7	6,4	8,7	5,2	7,2					4,7	6,5	43'	
			22,0*	22,0*	27,7*	27,7*	21,9*	21,9*	17,6	17,9*	14,1	14,8*	11,7	12,0*					9,6*	9,6*	43'	
			18,8	20,6*	12,9	17,9	9,6	13,3	7,6	10,4	6,2	8,5	5,2	7,1					5,1	7,0	40' 6"	
			20,6*	20,6*	26,1*	26,1*	20,8*	20,8*	16,8*	16,8*	13,6*	13,6*	10,1*	10,1*					9,7*	9,7*	40' 6"	
					12,6	17,6	9,4	13,0	7,5	10,3									6,3	8,7	34' 2"	
					22,3*	22,3*	18,1*	18,1*	14,5*	14,5*									11,7*	11,7*	34' 2"	

Height Can be slewed through 360° In longitudinal position of undercarriage Max. reach * Limited by hydr. capacity

The lift capacities on the stick end without attachment are stated in lb x 1,000 and are valid on a firm, level supporting surface with blocked oscillating axle. These capacities can be slewed through 360° with the undercarriage in the transverse position. Capacities in the longitudinal position of the undercarriage (+/- 15°) are specified over the steering axle with the stabilizers raised and over the rigid axle with the stabilizers down. Indicated loads based on the ISO 10567 standard and do not exceed 75% of tipping or 87% of hydraulic capacity. The lift capacity values indicated are attained at the corresponding operating temperature. This operating temperature is ensured by continuous movement of the boom. Weights of fitted attachments (grabs, load hooks, etc.) and load accommodation attachment are to be deducted from the lift capacity values. The lift capacity of the unit is limited by its stability, the lifting capability of the hydraulic elements, or the maximum permissible lifting capacity of the load hook.

LH 40 M – Equipment GA14

Industry – Kinematic 2A

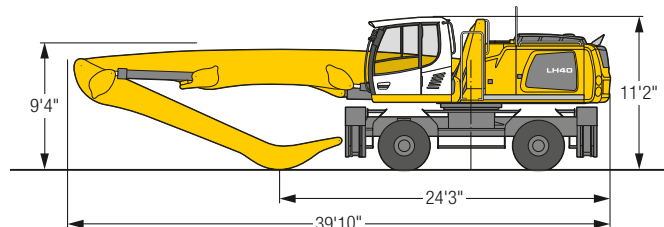


Operating Weight

The operating weight includes the basic machine with 4 point outriggers, hydr. cab elevation, 8 solid tires plus intermediate rings, straight boom 28'3" angled stick 19'8" and multi-tine grab GM 70C/1.05 yd³ semi-closed tines.

Weight	84,900 lb
--------	-----------

Dimensions



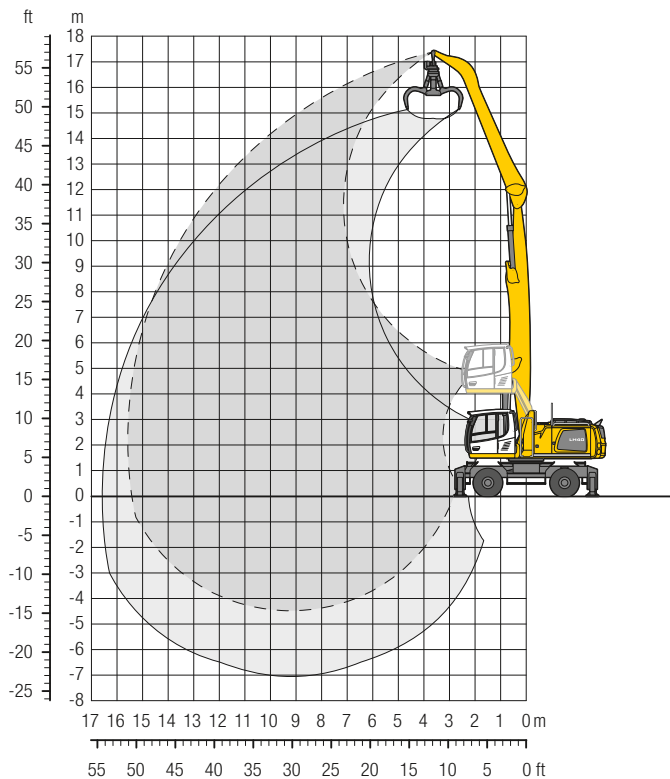
ft	Undercarriage	15 ft		20 ft		25 ft		30 ft		35 ft		40 ft		45 ft		50 ft		55 ft		ft in		
		Stabilizers raised	4 pt. outriggers down	Stabilizers raised	4 pt. outriggers down	Stabilizers raised	4 pt. outriggers down	Stabilizers raised	4 pt. outriggers down	Stabilizers raised	4 pt. outriggers down	Stabilizers raised	4 pt. outriggers down	Stabilizers raised	4 pt. outriggers down	Stabilizers raised	4 pt. outriggers down	Stabilizers raised	4 pt. outriggers down	Stabilizers raised	4 pt. outriggers down	
50	Stabilizers raised	21.6*	21.6*																	17.0*	17.0*	19' 6"
	4 pt. outriggers down	21.6*	21.6*																	17.0*	17.0*	
45	Stabilizers raised			20.2	21.1*	13.8	17.5*													11.1	13.6*	28'
	4 pt. outriggers down			21.1*	21.1*	17.5*	17.5*													13.6*	13.6*	
40	Stabilizers raised					14.4	18.0*	10.3	13.3											8.0	10.5	33' 8"
	4 pt. outriggers down					18.0*	18.0*	16.0*	16.0*											12.2*	12.2*	
35	Stabilizers raised					14.5	17.8*	10.5	13.5	7.8	10.1									6.4	8.5	38'
	4 pt. outriggers down					17.8*	17.8*	15.7*	15.7*	14.2*	14.2*									11.4*	11.4*	
30	Stabilizers raised			20.6	21.0*	14.3	17.9*	10.4	13.3	7.8	10.1	5.8	7.8							5.4	7.3	41' 1"
	4 pt. outriggers down			21.0*	21.0*	17.9*	17.9*	15.7*	15.7*	14.1*	14.1*	12.4	12.7*							10.9*	10.9*	
25	Stabilizers raised			19.8	21.8*	13.7	17.6	10.1	13.0	7.6	10.0	5.8	7.8							4.8	6.5	43' 6"
	4 pt. outriggers down			21.8*	21.8*	18.4*	18.4*	16.0*	16.0*	14.2*	14.2*	12.4	12.7*							10.6	10.7*	
20	Stabilizers raised	28.0*	28.0*	18.4	23.1*	12.9	16.8	9.6	12.5	7.3	9.6	5.7	7.6	4.4	6.0					4.3	6.0	45' 2"
	4 pt. outriggers down	28.0*	28.0*	23.1*	23.1*	19.1*	19.1*	16.4*	16.4*	14.4*	14.4*	12.2	12.7*	9.9	11.1*					9.9	10.6*	
15	Stabilizers raised	25.6	32.5*	16.7	22.0	11.9	15.7	8.9	11.8	6.9	9.2	5.4	7.4	4.3	6.0					4.0	5.6	46' 4"
	4 pt. outriggers down	32.5*	32.5*	24.6*	24.6*	20.0*	20.0*	16.9*	16.9*	14.6*	14.6*	12.0	12.8*	9.9	11.0*					9.4	10.5*	
10	Stabilizers raised	21.6	30.2	14.7	19.9	10.8	14.5	8.2	11.1	6.5	8.8	5.2	7.1	4.1	5.8					3.8	5.4	46' 10"
	4 pt. outriggers down	35.4*	35.4*	26.1*	26.1*	20.7*	20.7*	17.3*	17.3*	14.3	14.7*	11.7	12.7*	9.7	10.8*					9.1	9.8*	
5	Stabilizers raised	13.0*	13.0*	13.0	18.1	9.8	13.4	7.6	10.4	6.1	8.4	4.9	6.8	4.0	5.7					3.8	5.3	46' 10"
	4 pt. outriggers down	13.0*	13.0*	26.7*	26.7*	21.1*	21.1*	17.3	17.4*	13.8	14.6*	11.4	12.4*	9.6	10.2*					9.0	9.1*	
0	Stabilizers raised	11.5*	11.5*	11.9	17.0	9.0	12.6	7.1	9.9	5.7	8.0	4.7	6.6	3.9	5.6					3.8	5.4	46' 4"
	4 pt. outriggers down	11.5*	11.5*	26.0*	26.0*	20.7*	20.7*	16.7	17.0*	13.5	14.2*	11.2	11.8*	9.2*	9.2*					8.2*	8.2*	
-5	Stabilizers raised	13.1*	13.1*	11.4	16.4	8.6	12.1	6.8	9.6	5.5	7.8	4.6	6.5							4.1	5.8	43' 8"
	4 pt. outriggers down	13.1*	13.1*	23.6*	23.6*	19.3*	19.3*	15.9*	15.9*	13.1*	13.1*	10.5*	10.5*							8.3*	8.3*	
-10	Stabilizers raised			11.2	16.2	8.4	11.9	6.6	9.4	5.4	7.7									5.0	7.0	37' 6"
	4 pt. outriggers down			19.6*	19.6*	16.6*	16.6*	13.8*	13.8*	11.1*	11.1*									9.8*	9.8*	

Height
 Can be slewed through 360°
 In longitudinal position of undercarriage
 Max. reach
 * Limited by hydr. capacity

The lift capacities on the stick end without attachment are stated in lb x 1,000 and are valid on a firm, level supporting surface with blocked oscillating axle. These capacities can be slewed through 360° with the undercarriage in the transverse position. Capacities in the longitudinal position of the undercarriage (+/- 15°) are specified over the steering axle with the stabilizers raised and over the rigid axle with the stabilizers down. Indicated loads based on the ISO 10567 standard and do not exceed 75% of tipping or 87% of hydraulic capacity. The lift capacity values indicated are attained at the corresponding operating temperature. This operating temperature is ensured by continuous movement of the boom. Weights of fitted attachments (grabs, load hooks, etc.) and load accommodation attachment are to be deducted from the lift capacity values. The lift capacity of the unit is limited by its stability, the lifting capability of the hydraulic elements, or the maximum permissible lifting capacity of the load hook.

LH 40 M – Equipment GA16

Industry – Kinematic 2A

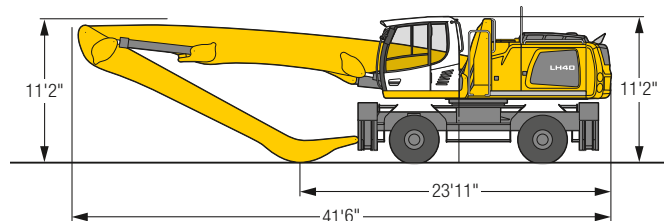


Operating Weight

The operating weight includes the basic machine with 4 point outriggers, hydr. cab elevation, 8 solid tires plus intermediate rings, straight boom 29'10", angled stick 22'4" and multi-tine grab GM 65/0.78 yd³ semi-closed tines.

Weight	84,900 lb
--------	-----------

Dimensions



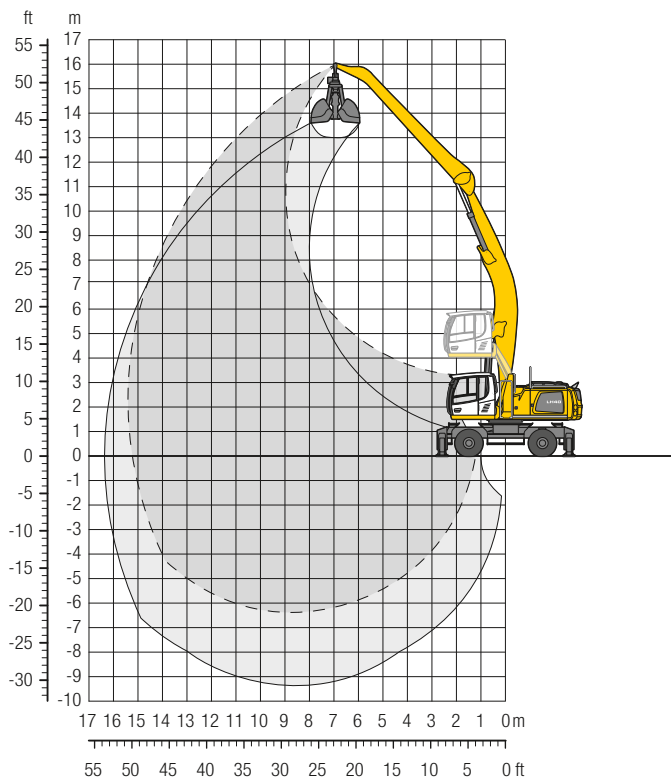
ft	Undercarriage	15 ft		20 ft		25 ft		30 ft		35 ft		40 ft		45 ft		50 ft		55 ft		ft in		
		Stabilizers raised	4 pt. outriggers down	Stabilizers raised	4 pt. outriggers down	Stabilizers raised	4 pt. outriggers down	Stabilizers raised	4 pt. outriggers down	Stabilizers raised	4 pt. outriggers down	Stabilizers raised	4 pt. outriggers down	Stabilizers raised	4 pt. outriggers down	Stabilizers raised	4 pt. outriggers down	Stabilizers raised	4 pt. outriggers down	Stabilizers raised	4 pt. outriggers down	ft in
55	Stabilizers raised			19,5*	19,5*															16,3*	16,3*	18' 4"
55	4 pt. outriggers down			19,5*	19,5*															16,3*	16,3*	18' 4"
50	Stabilizers raised					18,9*	18,9*	14,1	15,9*											11,1	12,6*	28' 2"
50	4 pt. outriggers down					18,9*	18,9*	15,9*	15,9*											12,6*	12,6*	28' 2"
45	Stabilizers raised							14,8	17,3*	10,6	13,6									7,7	10,1	34' 7"
45	4 pt. outriggers down							17,3*	17,3*	15,2*	15,2*									11,0*	11,0*	34' 7"
40	Stabilizers raised							15,2	16,9*	10,9	13,9	8,0	10,4							6,0	8,0	39' 5"
40	4 pt. outriggers down							16,9*	16,9*	14,9*	14,9*	13,4*	13,4*							10,1*	10,1*	39' 5"
35	Stabilizers raised							15,1	16,9*	11,0	14,0	8,1	10,5	6,0	8,0					4,9	6,7	43'
35	4 pt. outriggers down							16,9*	16,9*	14,8*	14,8*	13,2*	13,2*	12,0*	12,0*					9,6*	9,6*	43'
30	Stabilizers raised							14,8	17,1*	10,7	13,7	8,0	10,4	6,0	8,0	4,5	6,2			4,2	5,9	45' 11"
30	4 pt. outriggers down							17,1*	17,1*	14,9*	14,9*	13,3*	13,3*	12,0*	12,0*	10,1	10,8*			9,3*	9,3*	45' 11"
25	Stabilizers raised					20,5	20,9*	14,1	17,6*	10,3	13,3	7,7	10,1	5,9	7,9	4,5	6,2			3,7	5,3	48'
25	4 pt. outriggers down					20,9*	20,9*	17,6*	17,6*	15,2*	15,2*	13,4*	13,4*	12,0*	12,0*	10,1	10,8*			8,9	9,1*	48'
20	Stabilizers raised					19,0	22,1*	13,2	17,1	9,7	12,6	7,3	9,7	5,6	7,6	4,3	6,0			3,4	4,9	49' 6"
20	4 pt. outriggers down					22,1*	22,1*	18,3*	18,3*	15,6*	15,6*	13,7*	13,7*	12,1*	12,1*	10,0	10,8*			8,3	9,1*	49' 6"
15	Stabilizers raised			26,3	31,2*	16,9	22,4	12,0	15,8	8,9	11,8	6,8	9,2	5,3	7,3	4,1	5,8	3,2	4,7	3,1	4,6	50' 6"
15	4 pt. outriggers down			31,2*	31,2*	23,6*	23,6*	19,1*	19,1*	16,1*	16,1*	13,9*	13,9*	11,9	12,2*	9,8	10,7*	8,1	9,2*	7,9	8,9*	50' 6"
10	Stabilizers raised			21,7	30,3	14,7	19,9	10,7	14,4	8,1	11,0	6,3	8,6	5,0	6,9	3,9	5,6	3,1	4,6	3,0	4,4	51'
10	4 pt. outriggers down			34,0*	34,0*	25,0*	25,0*	19,9*	19,9*	16,5*	16,5*	14,1*	14,1*	11,5	12,2*	9,5	10,6*	8,0	8,9*	7,7	8,4*	51'
5	Stabilizers raised			11,9*	11,9*	12,6	17,7	9,4	13,1	7,3	10,1	5,8	8,1	4,6	6,5	3,7	5,4	3,0	4,5	2,9	4,3	51'
5	4 pt. outriggers down			11,9*	11,9*	25,8*	25,8*	20,3*	20,3*	16,7*	16,7*	13,6	14,1*	11,1	12,1*	9,3	10,3*	7,9	8,4*	7,6	7,8*	51'
0	Stabilizers raised			9,7*	9,7*	11,2	16,2	8,5	12,1	6,7	9,5	5,3	7,6	4,3	6,2	3,5	5,2	2,9	4,4	2,9	4,3	50' 6"
0	4 pt. outriggers down			9,7*	9,7*	25,3*	25,3*	20,1*	20,1*	16,3	16,5*	13,1	13,8*	10,8	11,7*	9,1	9,8*	7,4*	7,4*	7,0*	7,0*	50' 6"
-5	Stabilizers raised			10,8*	10,8*	10,4	15,4	7,9	11,4	6,2	9,0	5,0	7,3	4,1	6,0	3,4	5,1			3,0	4,6	48' 8"
-5	4 pt. outriggers down			10,8*	10,8*	22,4*	22,4*	19,0*	19,0*	15,7*	15,7*	12,7	13,1*	10,6	10,9*	8,8*	8,8*			6,8*	6,8*	48' 8"
-10	Stabilizers raised					10,1	15,0	7,5	11,1	5,9	8,7	4,8	7,1	4,0	5,9					3,5	5,2	44'
-10	4 pt. outriggers down					20,2*	20,2*	16,9*	16,9*	14,1*	14,1*	11,7*	11,7*	9,5*	9,5*					7,6*	7,6*	44'
-15	Stabilizers raised																					44'
-15	4 pt. outriggers down																					44'

Height
 Can be slewed through 360°
 In longitudinal position of undercarriage
 Max. reach
 * Limited by hydr. capacity

The lift capacities on the stick end without attachment are stated in lb x 1,000 and are valid on a firm, level supporting surface with blocked oscillating axle. These capacities can be slewed through 360° with the undercarriage in the transverse position. Capacities in the longitudinal position of the undercarriage (+/- 15°) are specified over the steering axle with the stabilizers raised and over the rigid axle with the stabilizers down. Indicated loads based on the ISO 10567 standard and do not exceed 75% of tipping or 87% of hydraulic capacity. The lift capacity values indicated are attained at the corresponding operating temperature. This operating temperature is ensured by continuous movement of the boom. Weights of fitted attachments (grabs, load hooks, etc.) and load accommodation attachment are to be deducted from the lift capacity values. The lift capacity of the unit is limited by its stability, the lifting capability of the hydraulic elements, or the maximum permissible lifting capacity of the load hook.

LH 40 M – Equipment AF15

Industry – Kinematic 2D

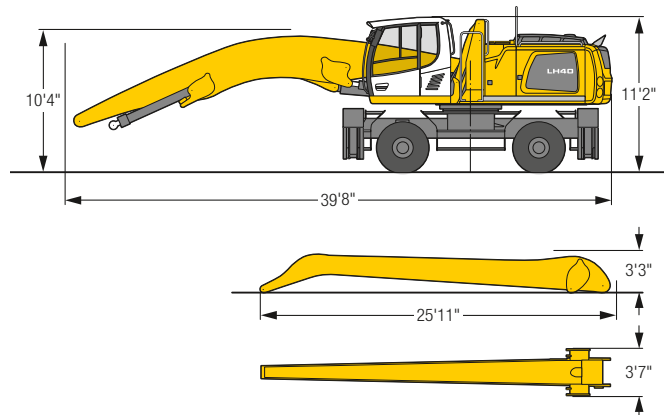


Operating Weight

The operating weight includes the basic machine with 4 point outriggers, hydr. cab elevation, 8 solid tires plus intermediate rings, angled boom 28'3", flat angled stick 24'7" and grab for loose material GM 20C/1.96 yd³.

Weight	86,200 lb
--------	-----------

Dimensions



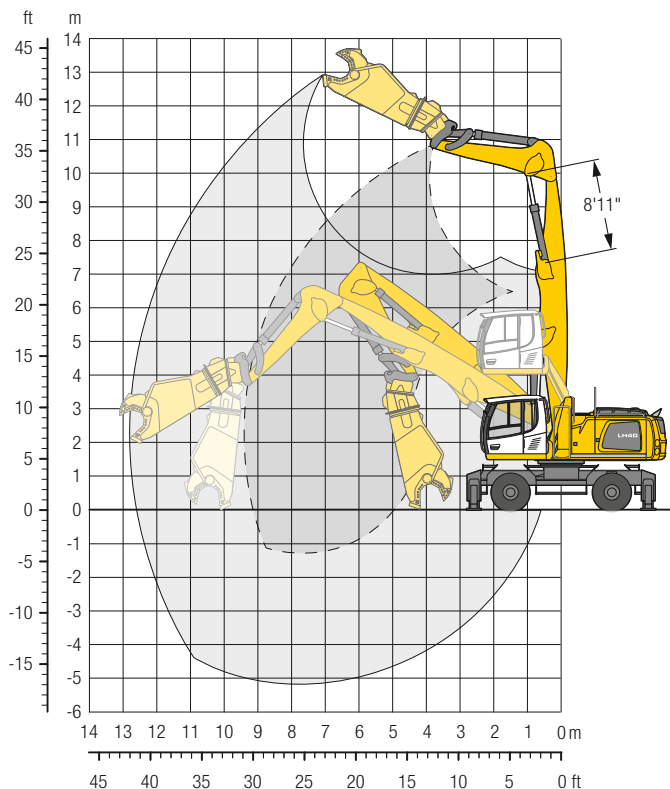
ft	Undercarriage	15 ft		20 ft		25 ft		30 ft		35 ft		40 ft		45 ft		50 ft		55 ft		ft in		
		Stabilizers raised	4 pt. outriggers down	Stabilizers raised	4 pt. outriggers down	Stabilizers raised	4 pt. outriggers down	Stabilizers raised	4 pt. outriggers down	Stabilizers raised	4 pt. outriggers down	Stabilizers raised	4 pt. outriggers down	Stabilizers raised	4 pt. outriggers down	Stabilizers raised	4 pt. outriggers down	Stabilizers raised	4 pt. outriggers down	Stabilizers raised	4 pt. outriggers down	ft in
50	Stabilizers raised					12,3*	12,3*													10,7*	10,7*	26'11"
	4 pt. outriggers down					12,3*	12,3*													10,7*	10,7*	
45	Stabilizers raised							11,4	12,5*											9,0	9,4*	33' 7"
	4 pt. outriggers down							12,5*	12,5*											9,4*	9,4*	
40	Stabilizers raised							11,8	12,6*	8,7	11,1									6,9	8,8*	38' 6"
	4 pt. outriggers down							12,6*	12,6*	11,6*	11,6*									8,8*	8,8*	
35	Stabilizers raised							11,9	12,5*	8,8	11,2	6,5	8,5							5,7	7,5	42' 2"
	4 pt. outriggers down							12,5*	12,5*	11,5*	11,5*	10,7*	10,7*							8,4*	8,4*	
30	Stabilizers raised							11,7	12,6*	8,7	11,2	6,6	8,6	4,8	6,6					4,8	6,5	45' 1"
	4 pt. outriggers down							12,6*	12,6*	11,5*	11,5*	10,6*	10,6*	8,3*	8,3*					8,2*	8,2*	
25	Stabilizers raised							11,3	12,9*	8,5	10,9	6,4	8,4	4,8	6,6					4,2	5,8	47' 4"
	4 pt. outriggers down							12,9*	12,9*	11,7*	11,7*	10,7*	10,7*	9,9*	9,9*					8,1*	8,1*	
20	Stabilizers raised					14,7	15,2*	10,7	13,4*	8,1	10,5	6,2	8,2	4,7	6,4					3,8	5,3	48'10"
	4 pt. outriggers down					15,2*	15,2*	13,4*	13,4*	12,0*	12,0*	10,9*	10,9*	10,0*	10,0*					8,1*	8,1*	
15	Stabilizers raised			19,5	19,5*	13,5	16,3*	10,0	12,9	7,5	9,9	5,8	7,8	4,5	6,2					3,4	4,9	49'11"
	4 pt. outriggers down			19,5*	19,5*	16,3*	16,3*	14,1*	14,1*	12,4*	12,4*	11,1*	11,1*	10,1*	10,1*					8,3*	8,3*	
10	Stabilizers raised	26,3	28,4*	17,1	21,5*	12,1	16,0	9,1	12,0	6,9	9,3	5,4	7,4	4,2	5,9	3,3	4,8			3,2	4,7	50' 5"
	4 pt. outriggers down	28,4*	28,4*	21,5*	21,5*	17,4*	17,4*	14,8*	14,8*	12,8*	12,8*	11,4*	11,4*	9,9	10,2*	8,2	9,1*			8,1	8,5*	
5	Stabilizers raised	21,6	30,3	14,7	20,0	10,7	14,5	8,1	11,0	6,3	8,7	5,0	7,0	4,0	5,7	3,1	4,6			3,1	4,6	50' 4"
	4 pt. outriggers down	31,7*	31,7*	23,3*	23,3*	18,5*	18,5*	15,4*	15,4*	13,2*	13,2*	11,6*	11,6*	9,6	10,2*	8,1	8,9*			8,0	8,8*	
0	Stabilizers raised	18,1	20,7*	12,7	17,8	9,5	13,2	7,3	10,2	5,8	8,1	4,6	6,6	3,7	5,4					3,0	4,5	49'10"
	4 pt. outriggers down	20,7*	20,7*	24,4*	24,4*	19,2*	19,2*	15,8*	15,8*	13,5*	13,5*	11,2	11,7*	9,3	10,1*					8,0	8,6*	
-5	Stabilizers raised	16,3	16,9*	11,3	16,4	8,5	12,2	6,7	9,5	5,3	7,6	4,3	6,3	3,5	5,2					3,1	4,6	48'10"
	4 pt. outriggers down	16,9*	16,9*	24,7*	24,7*	19,4*	19,4*	16,0*	16,0*	13,1	13,4*	10,8	11,5*	9,1	9,8*					8,1	8,3*	
-10	Stabilizers raised	15,4	16,8*	10,5	15,5	7,9	11,5	6,2	9,0	5,0	7,3	4,1	6,0	3,4	5,1					3,2	4,8	47' 2"
	4 pt. outriggers down	16,8*	16,8*	23,8*	23,8*	19,0*	19,0*	15,6*	15,6*	12,8	13,0*	10,6	11,0*	9,0*	9,0*					7,9*	7,9*	
-15	Stabilizers raised	15,2	17,8*	10,2	15,2	7,6	11,2	5,9	8,7	4,8	7,1	4,0	5,9							3,5	5,2	44' 5"
	4 pt. outriggers down	17,8*	17,8*	21,7*	21,7*	17,6*	17,6*	14,5*	14,5*	12,0*	12,0*	9,8*	9,8*							7,7*	7,7*	
-20	Stabilizers raised					7,5	11,1	5,9	8,7	4,8	7,1									4,8	7,1	35' 1"
	4 pt. outriggers down					15,1*	15,1*	12,4*	12,4*	10,1*	10,1*									10,0*	10,0*	

Height
 Can be slewed through 360°
 In longitudinal position of undercarriage
 Max. reach
 * Limited by hydr. capacity

The lift capacities on the stick end without attachment are stated in lb x 1,000 and are valid on a firm, level supporting surface with blocked oscillating axle. These capacities can be slewed through 360° with the undercarriage in the transverse position. Capacities in the longitudinal position of the undercarriage (+/- 15°) are specified over the steering axle with the stabilizers raised and over the rigid axle with the stabilizers down. Indicated loads based on the ISO 10567 standard and do not exceed 75% of tipping or 87% of hydraulic capacity. The lift capacity values indicated are attained at the corresponding operating temperature. This operating temperature is ensured by continuous movement of the boom. Weights of fitted attachments (grabs, load hooks, etc.) and load accommodation attachment are to be deducted from the lift capacity values. The lift capacity of the unit is limited by its stability, the lifting capability of the hydraulic elements, or the maximum permissible lifting capacity of the load hook.

LH 40 M – Equipment GS11

Industry – Kinematic 2A



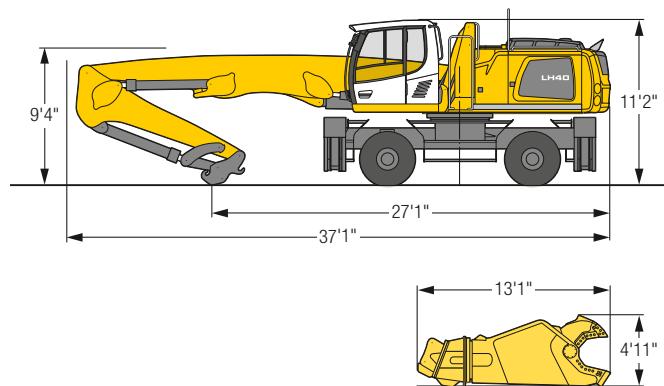
Operating Weight

The operating weight includes the basic machine with 4 point outriggers, hydr. cab elevation, 8 solid tires plus intermediate rings, straight boom 24'11", stick HD with tipping kinematics special 11'10", quick coupler SWA 66 and scrap shear Genesis GXT 445R.

Weight 95,000 lb

The stick cylinder must be limited to the measure of 8'11".

Dimensions



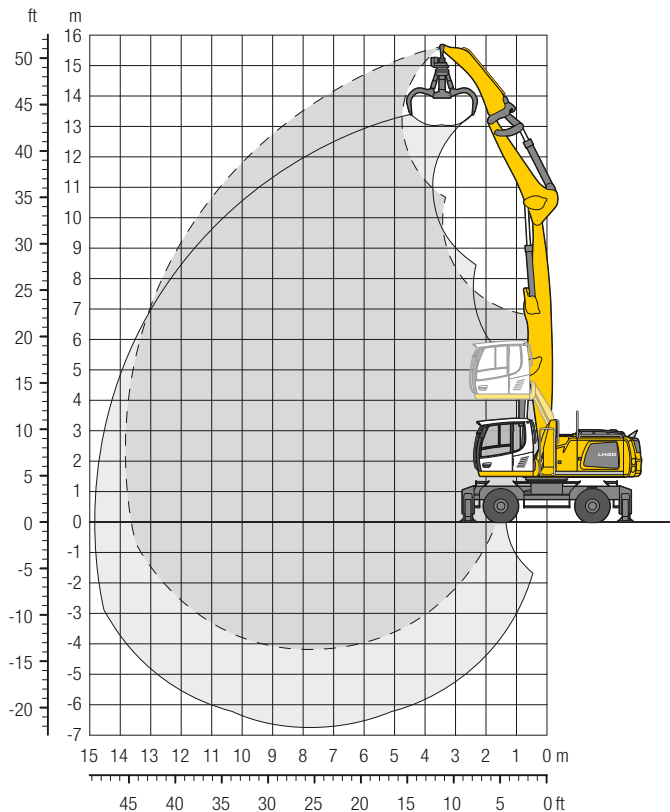
ft	Undercarriage	15 ft		20 ft		25 ft		30 ft		35 ft		40 ft		45 ft		50 ft		55 ft		ft in		
		Stabilizers raised	4 pt. outriggers down	Stabilizers raised	4 pt. outriggers down	Stabilizers raised	4 pt. outriggers down	Stabilizers raised	4 pt. outriggers down	Stabilizers raised	4 pt. outriggers down	Stabilizers raised	4 pt. outriggers down	Stabilizers raised	4 pt. outriggers down	Stabilizers raised	4 pt. outriggers down	Stabilizers raised	4 pt. outriggers down	Stabilizers raised	4 pt. outriggers down	
45	Stabilizers raised																					
45	4 pt. outriggers down																					
40	Stabilizers raised					8,8*	8,8*													7,4	8,1*	26' 5"
40	4 pt. outriggers down					8,8*	8,8*													8,1*	8,1*	
35	Stabilizers raised							4,3	6,3*											3,1	5,7*	31' 7"
35	4 pt. outriggers down							6,3*	6,3*											5,7*	5,7*	
30	Stabilizers raised							4,3	6,2*	0,9	3,4									0,7	3,2	35' 5"
30	4 pt. outriggers down							6,2*	6,2*	4,4*	4,4*									4,3*	4,3*	
25	Stabilizers raised					8,6*	8,6*	3,9	6,2*	0,7	3,2									—	1,4	38' 1"
25	4 pt. outriggers down					8,6*	8,6*	6,2*	6,2*	4,4*	4,4*									3,4*	3,4*	
20	Stabilizers raised					7,8	8,9*	3,2	6,3	0,2	2,7	—	0,2							—	0,2	40'
20	4 pt. outriggers down					8,9*	8,9*	6,4*	6,4*	4,4*	4,4*	2,8*	2,8*							2,8*	2,8*	
15	Stabilizers raised			8,8*	8,8*	6,3	9,3*	2,3	5,3	—	2,1	—	—							—	—	41' 4"
15	4 pt. outriggers down			8,8*	8,8*	9,3*	9,3*	6,5*	6,5*	4,5*	4,5*	2,7*	2,7*							2,3*	2,3*	
10	Stabilizers raised	6,3*	6,3*	10,0	14,0*	4,5	8,4	1,1	4,1	—	1,3	—	—							—	—	41'11"
10	4 pt. outriggers down	6,3*	6,3*	14,0*	14,0*	9,6*	9,6*	6,7*	6,7*	4,4*	4,4*	2,6*	2,6*							1,9*	1,9*	
5	Stabilizers raised	13,9	22,4*	6,6	12,0	2,5	6,3	—	2,9	—	0,5	—	—							—	—	41'10"
5	4 pt. outriggers down	22,4*	22,4*	14,5*	14,5*	9,8*	9,8*	6,6*	6,6*	4,2*	4,2*	2,3*	2,3*							1,6*	1,6*	
0	Stabilizers raised	8,5	16,8	3,7	8,9	0,8	4,5	—	1,7	—	—	—	—							—	—	41' 2"
0	4 pt. outriggers down	18,9*	18,9*	14,3*	14,3*	9,5*	9,5*	6,2*	6,2*	3,8*	3,8*	1,7*	1,7*							1,2*	1,2*	
-5	Stabilizers raised	5,3	10,0*	1,6	6,7	—	3,1	—	0,8	—	—	—	—							—	—	40'
-5	4 pt. outriggers down	10,0*	10,0*	13,0*	13,0*	8,6*	8,6*	5,4*	5,4*	2,9*	2,9*	—	—							0,6*	0,6*	
-10	Stabilizers raised	3,8	10,6*	0,5	5,4	—	2,2	—	0,2	—	—	—	—							—	—	38'
-10	4 pt. outriggers down	10,6*	10,6*	10,4*	10,4*	6,7*	6,7*	3,8*	3,8*	1,3*	1,3*	—	—							—	—	
-15	Stabilizers raised			—	4,9	—	1,8	—	—	—	—	—	—							—	—	34' 4"
-15	4 pt. outriggers down			6,1*	6,1*	3,5*	3,5*	1,1*	1,1*	—	—	—	—							—	—	

Height
 Can be slewed through 360°
 In longitudinal position of undercarriage
 Max. reach
 * Limited by hydr. capacity

The lift capacities on the stick end without attachment are stated in lb x 1,000 and are valid on a firm, level supporting surface with blocked oscillating axle. These capacities can be slewed through 360° with the undercarriage in the transverse position. Capacities in the longitudinal position of the undercarriage (+/- 15°) are specified over the steering axle with the stabilizers raised and over the rigid axle with the stabilizers down. Indicated loads based on the ISO 10567 standard and do not exceed 75% of tipping or 87% of hydraulic capacity. The lift capacity values indicated are attained at the corresponding operating temperature. The values are calculated for the static state of the energy recovery cylinder. The maximum lift capacity for the quick coupler's load hook is 26,500 lb. Without attachment the lift capacity will increase by 11,023 lb and without quick coupler, tipping cylinder, lever and connection link by an additional 3,115 lb. Weights of fitted attachments (grabs, load hooks, etc.) and load accommodation attachment are to be deducted from the lift capacity values. The lift capacity of the unit is limited by its stability, the lifting capability of the hydraulic elements, or the maximum permissible lifting capacity of the load hook.

LH 40 M – Equipment GSV14

Industry – Kinematic 2A

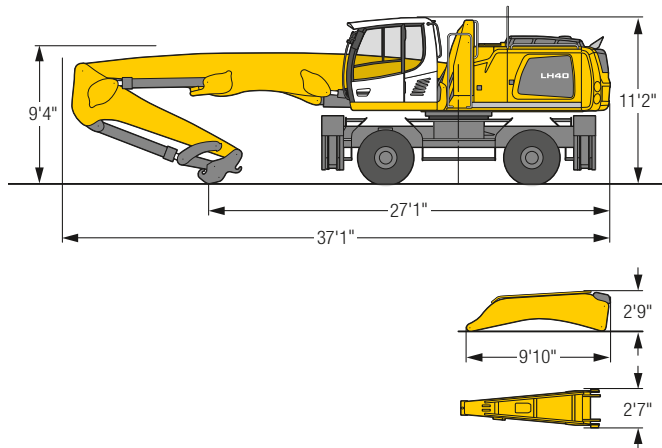


Operating Weight

The operating weight includes the basic machine with 4 point outriggers, hydr. cab elevation, 8 solid tires plus intermediate rings, straight boom 24'11", stick HD with tipping kinematics special 11'10", quick coupler SWA 66, stick extension 8'10" and multi-tine grab GM 65/ 0.78 yd³ semi-closed tines.

Weight 88,600 lb

Dimensions



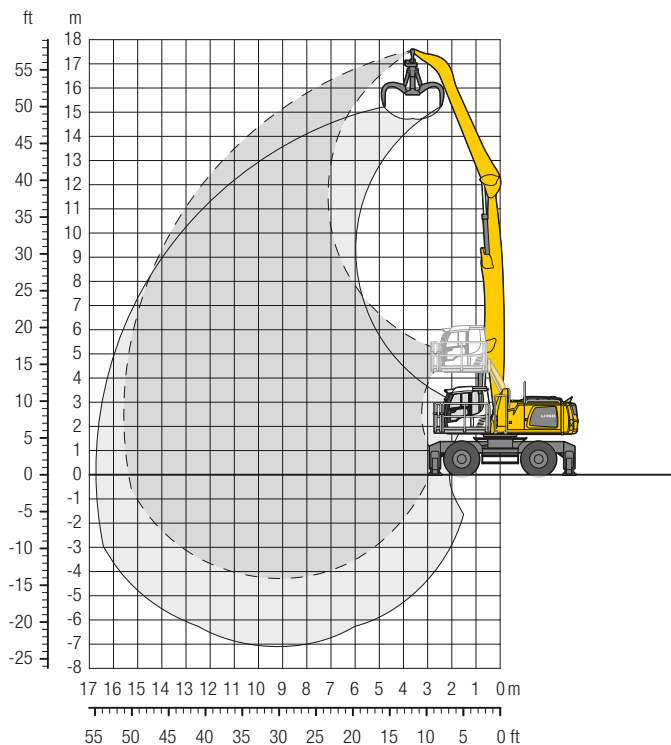
ft	Undercarriage	15 ft		20 ft		25 ft		30 ft		35 ft		40 ft		45 ft		50 ft		55 ft		ft in		
		Stabilizers raised	4 pt. outriggers down	Stabilizers raised	4 pt. outriggers down	Stabilizers raised	4 pt. outriggers down	Stabilizers raised	4 pt. outriggers down	Stabilizers raised	4 pt. outriggers down	Stabilizers raised	4 pt. outriggers down	Stabilizers raised	4 pt. outriggers down	Stabilizers raised	4 pt. outriggers down	Stabilizers raised	4 pt. outriggers down	Stabilizers raised	4 pt. outriggers down	ft in
50		17,3*	17,3*																	17,1*	17,1*	15' 1"
45		17,3*	17,3*																	17,1*	17,1*	15' 1"
40				17,4*	17,4*															12,0*	12,0*	25' 2"
35				17,4*	17,4*	11,9	12,3*													12,0*	12,0*	25' 2"
30						13,0	16,1*	8,4	11,4											7,3	10,1*	31' 6"
25						16,1*	16,1*	12,3*	12,3*											10,1*	10,1*	31' 6"
20						13,4	15,6*	8,9	11,9	5,7	8,1									5,2	7,5	35' 11"
15						15,6*	15,6*	13,6*	13,6*	10,8*	10,8*									9,0*	9,0*	35' 11"
10						13,3	15,4*	8,9	11,9	5,9	8,3									3,9	6,0	39' 4"
5						15,4*	15,4*	13,4*	13,4*	11,8*	11,8*									8,4*	8,4*	39' 4"
0						12,8	15,6*	8,6	11,6	5,8	8,2	3,7	5,7							3,1	5,0	41' 10"
-5						15,6*	15,6*	13,4*	13,4*	11,7*	11,7*	10,3*	10,3*							8,1*	8,1*	41' 10"
-10				18,3	19,4*	11,9	15,8	8,0	11,0	5,4	7,8	3,6	5,6							2,5	4,3	43' 6"
				19,4*	19,4*	16,0*	16,0*	13,6*	13,6*	11,8*	11,8*	10,3*	10,3*							7,9*	7,9*	43' 6"
		23,2*	23,2*	16,3	20,6*	10,6	14,5	7,2	10,2	4,9	7,3	3,3	5,3							2,1	3,9	44' 8"
		23,2*	23,2*	20,6*	20,6*	16,7*	16,7*	13,9*	13,9*	11,9*	11,9*	10,0	10,2*							7,9	7,9*	44' 8"
		22,4	29,6*	13,8	19,2	9,2	13,0	6,3	9,3	4,4	6,7	3,0	5,0	1,9	3,6					1,9	3,6	45' 2"
		29,6*	29,6*	21,9*	21,9*	17,3*	17,3*	14,2*	14,2*	12,0*	12,0*	9,6	10,1*	7,6	7,9*					7,5	7,8*	45' 2"
		17,6	26,2	11,4	16,6	7,8	11,5	5,5	8,3	3,8	6,2	2,6	4,6	1,8	3,5					1,8	3,4	45' 2"
		31,6*	31,6*	22,9*	22,9*	17,8*	17,8*	14,4*	14,4*	11,7	11,9*	9,2	9,7*	7,2*	7,2*					7,0*	7,0*	45' 2"
		14,4	22,6	9,5	14,6	6,6	10,3	4,7	7,6	3,4	5,7	2,4	4,3							1,7	3,4	44' 7"
		25,0*	25,0*	22,9*	22,9*	17,7*	17,7*	14,1*	14,1*	11,2	11,4*	8,9	9,0*							6,0*	6,0*	44' 7"
		12,8	20,4*	8,3	13,3	5,8	9,4	4,2	7,0	3,0	5,3	2,2	4,1							1,9	3,7	42' 6"
		20,4*	20,4*	21,6*	21,6*	16,7*	16,7*	13,2*	13,2*	10,4*	10,4*	7,6*	7,6*							5,8*	5,8*	42' 6"
		12,3	20,2	7,8	12,7	5,4	8,9	3,9	6,7	2,9	5,1									2,5	4,6	37' 5"
		21,1*	21,1*	18,4*	18,4*	14,5*	14,5*	11,3*	11,3*	8,4*	8,4*									6,9*	6,9*	37' 5"

Height Can be slewed through 360° In longitudinal position of undercarriage Max. reach * Limited by hydr. capacity

The lift capacities on the end of the stick extension without attachment are stated in lb x 1,000 and are valid on a firm, level supporting surface with blocked oscillating axle. These capacities can be slewed through 360° with the undercarriage in the transverse position. Capacities in the longitudinal position of the undercarriage (+/- 15°) are specified over the steering axle with the stabilizers raised and over the rigid axle with the stabilizers down. Indicated loads based on the ISO 10567 standard and do not exceed 75% of tipping or 87% of hydraulic capacity. The lift capacity values indicated are attained at the corresponding operating temperature. This operating temperature is ensured by continuous movement of the boom. Weights of fitted attachments (grabs, load hooks, etc.) and load accommodation attachment are to be deducted from the lift capacity values. The lift capacity of the unit is limited by its stability, the lifting capability of the hydraulic elements, or the maximum permissible lifting capacity of the load hook.

LH 50 M – Equipment GA16

Industry – Kinematic 2A

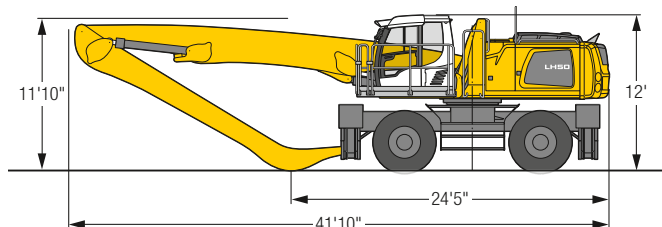


Operating Weight

The operating weight includes the basic machine with 4 point outriggers, hydr. cab elevation, 4 solid tires, straight boom 29°10", angled stick 22°4" and multi-tine grab GM 70C/1.44 yd³ semi-closed tines.

Weight 97,000 lb

Dimensions



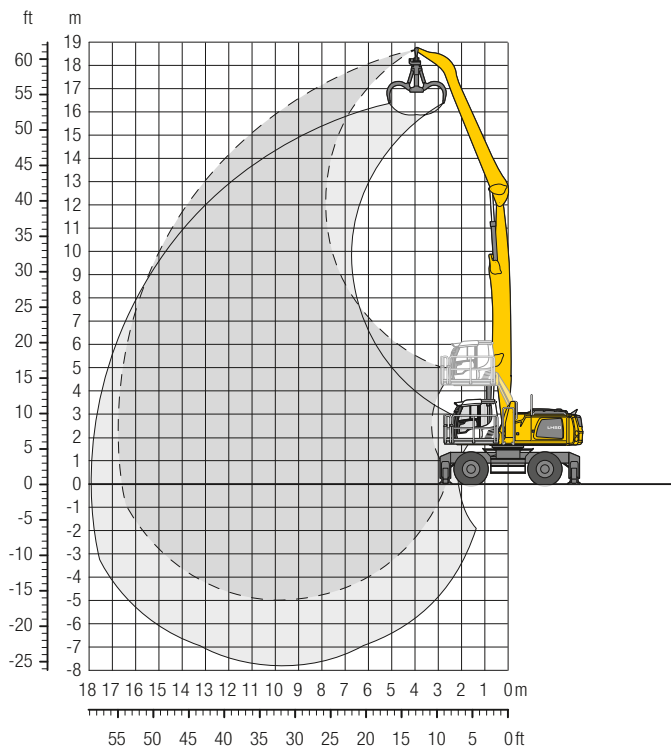
ft	Undercarriage	15 ft		20 ft		25 ft		30 ft		35 ft		40 ft		45 ft		50 ft		55 ft		ft in		
		Stabilizers raised	4 pt. outriggers down	Stabilizers raised	4 pt. outriggers down	Stabilizers raised	4 pt. outriggers down	Stabilizers raised	4 pt. outriggers down	Stabilizers raised	4 pt. outriggers down	Stabilizers raised	4 pt. outriggers down	Stabilizers raised	4 pt. outriggers down	Stabilizers raised	4 pt. outriggers down	Stabilizers raised	4 pt. outriggers down	Stabilizers raised	4 pt. outriggers down	ft in
60	Stabilizers raised																					
60	4 pt. outriggers down																					
55	Stabilizers raised			15,9"	15,9"															15,3"	15,3"	20' 6"
55	4 pt. outriggers down			15,9"	15,9"															15,3"	15,3"	20' 6"
50	Stabilizers raised					16,5"	16,5"													12,2"	12,2"	29' 6"
50	4 pt. outriggers down					16,5"	16,5"													12,2"	12,2"	29' 6"
45	Stabilizers raised					18,3"	18,4"	13,4"	16,2"	9,9"	11,7"									9,6"	10,8"	35' 6"
45	4 pt. outriggers down					18,4"	18,4"	16,2"	16,2"	11,7"	11,7"									10,8"	10,8"	35' 6"
40	Stabilizers raised					18,0"	18,0"	13,7"	16,0"	10,3"	13,2"	7,7"	10,1"							7,7"	10,0"	40' 1"
40	4 pt. outriggers down					18,0"	18,0"	16,0"	16,0"	14,5"	14,5"	10,2"	10,2"							10,0"	10,0"	40' 1"
35	Stabilizers raised					18,0"	18,0"	13,6"	15,9"	10,4"	13,2"	8,0"	10,3"							6,5"	8,6"	43' 7"
35	4 pt. outriggers down					18,0"	18,0"	15,9"	15,9"	14,4"	14,4"	13,1"	13,1"							9,6"	9,6"	43' 7"
30	Stabilizers raised					18,1"	18,4"	13,4"	16,1"	10,2"	13,1"	7,9"	10,3"	6,2"	8,2"					5,7"	7,7"	46' 4"
30	4 pt. outriggers down					18,4"	18,4"	16,1"	16,1"	14,5"	14,5"	13,1"	13,1"	11,6"	11,6"					9,3"	9,3"	46' 4"
25	Stabilizers raised			22,5"	22,5"	17,4"	19,0"	12,9"	16,5"	9,9"	12,7"	7,8"	10,1"	6,1"	8,1"					5,2"	7,0"	48' 4"
25	4 pt. outriggers down			22,5"	22,5"	19,0"	19,0"	16,5"	16,5"	14,7"	14,7"	13,2"	13,2"	12,0"	12,0"					9,1"	9,1"	48' 4"
20	Stabilizers raised	22,9"	22,9"	23,2"	24,0"	16,4"	19,9"	12,2"	15,8"	9,5"	12,3"	7,5"	9,8"	6,0"	8,0"					4,8"	6,6"	49' 10"
20	4 pt. outriggers down	22,9"	22,9"	24,0"	24,0"	19,9"	19,9"	17,1"	17,1"	15,0"	15,0"	13,4"	13,4"	12,0"	12,0"					9,1"	9,1"	49' 10"
15	Stabilizers raised	32,3"	34,2"	21,0"	25,9"	15,1"	19,7"	11,5"	14,9"	9,0"	11,8"	7,2"	9,5"	5,8"	7,8"	4,7"	6,4"			4,6"	6,3"	50' 8"
15	4 pt. outriggers down	34,2"	34,2"	25,9"	25,9"	21,0"	21,0"	17,7"	17,7"	15,4"	15,4"	13,6"	13,6"	12,0"	12,0"	10,4"	10,4"			9,2"	9,2"	50' 8"
10	Stabilizers raised	27,6"	31,4"	18,7"	25,2"	13,8"	18,3"	10,6"	14,1"	8,4"	11,2"	6,8"	9,1"	5,6"	7,6"	4,6"	6,3"			4,4"	6,1"	51' 1"
10	4 pt. outriggers down	31,4"	31,4"	27,6"	27,6"	22,0"	22,0"	18,3"	18,3"	15,7"	15,7"	13,7"	13,7"	12,0"	12,0"	10,1"	10,1"			9,4"	9,4"	51' 1"
5	Stabilizers raised	11,0"	11,0"	16,8"	23,0"	12,6"	17,0"	9,8"	13,3"	7,9"	10,7"	6,5"	8,8"	5,3"	7,3"	4,5"	6,2"			4,3"	6,0"	51'
5	4 pt. outriggers down	11,0"	11,0"	28,6"	28,6"	22,6"	22,6"	18,6"	18,6"	15,8"	15,8"	13,6"	13,6"	11,7"	11,7"	9,6"	9,6"			8,9"	8,9"	51'
0	Stabilizers raised	9,7"	9,7"	15,4"	21,6"	11,7"	16,1"	9,2"	12,6"	7,5"	10,2"	6,2"	8,5"	5,2"	7,2"	4,4"	6,2"			4,4"	6,1"	50' 5"
0	4 pt. outriggers down	9,7"	9,7"	25,7"	25,7"	22,5"	22,5"	18,5"	18,5"	15,6"	15,6"	13,2"	13,2"	11,1"	11,1"	8,4"	8,4"			8,1"	8,1"	50' 5"
-5	Stabilizers raised	11,1"	11,1"	14,7"	20,8"	11,1"	15,4"	8,8"	12,1"	7,2"	9,9"	6,0"	8,3"	5,1"	7,0"					4,6"	6,5"	48'
-5	4 pt. outriggers down	11,1"	11,1"	22,2"	22,2"	21,4"	21,4"	17,7"	17,7"	14,8"	14,8"	12,4"	12,4"	10,0"	10,0"					8,2"	8,2"	48'
-10	Stabilizers raised			14,5"	20,6"	10,8"	15,1"	8,5"	11,9"	7,0"	9,7"	5,9"	8,2"							5,4"	7,5"	42' 10"
-10	4 pt. outriggers down			22,5"	22,5"	19,0"	19,0"	15,9"	15,9"	13,2"	13,2"	10,7"	10,7"							9,3"	9,3"	42' 10"
-15	Stabilizers raised																					
-15	4 pt. outriggers down																					

Height Can be slewed through 360° In longitudinal position of undercarriage Max. reach * Limited by hydr. capacity

The lift capacities on the stick end without attachment are stated in lb x 1,000 and are valid on a firm, level supporting surface with blocked oscillating axle. These capacities can be slewed through 360° with the undercarriage in the transverse position. Capacities in the longitudinal position of the undercarriage (+/- 15°) are specified over the steering axle with the stabilizers raised and over the rigid axle with the stabilizers down. Indicated loads based on the ISO 10567 standard and do not exceed 75% of tipping or 87% of hydraulic capacity. The lift capacity values indicated are attained at the corresponding operating temperature. This operating temperature is ensured by continuous movement of the boom. Weights of fitted attachments (grabs, load hooks, etc.) and load accommodation attachment are to be deducted from the lift capacity values. The lift capacity of the unit is limited by its stability, the lifting capability of the hydraulic elements, or the maximum permissible lifting capacity of the load hook.

LH 50 M – Equipment GA17

Industry – Kinematic 2A

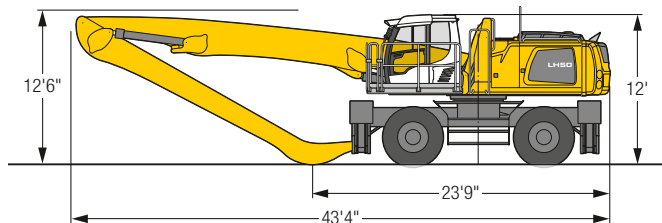


Operating Weight

The operating weight includes the basic machine with 4 point outriggers, hydr. cab elevation, 4 solid tires, straight boom 31'6", angled stick 24'7" and multi-tine grab GM 70C/1.05 yd³ semi-closed tines.

Weight 97,400 lb

Dimensions



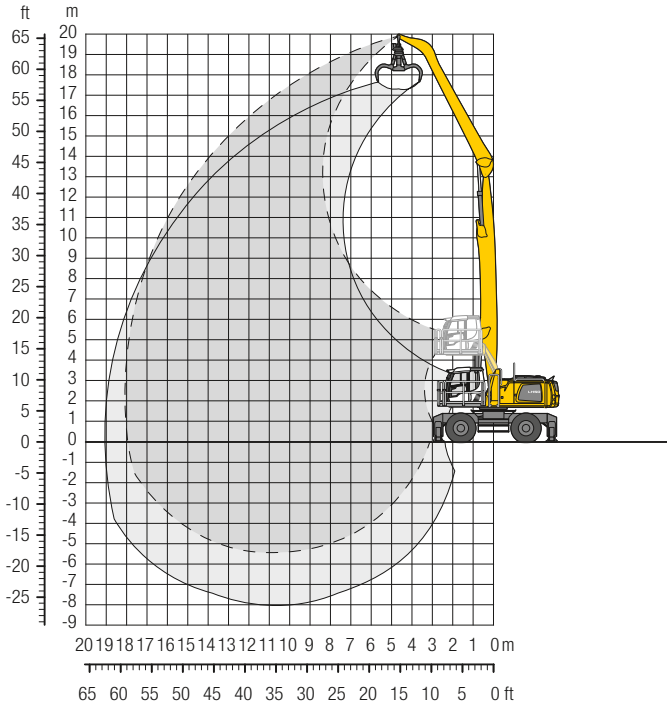
ft	Undercarriage	15 ft		20 ft		25 ft		30 ft		35 ft		40 ft		45 ft		50 ft		55 ft		ft in			
		Stabilizers raised	4 pt. outriggers down	Stabilizers raised	4 pt. outriggers down	Stabilizers raised	4 pt. outriggers down	Stabilizers raised	4 pt. outriggers down	Stabilizers raised	4 pt. outriggers down	Stabilizers raised	4 pt. outriggers down	Stabilizers raised	4 pt. outriggers down	Stabilizers raised	4 pt. outriggers down	Stabilizers raised	4 pt. outriggers down	Stabilizers raised	4 pt. outriggers down	ft in	
60	Stabilizers raised																				15,4"	15,4"	18' 5"
60	4 pt. outriggers down																				15,4"	15,4"	
55	Stabilizers raised					15,0"	15,0"														11,7"	11,7"	28'11"
55	4 pt. outriggers down					15,0"	15,0"														11,7"	11,7"	
50	Stabilizers raised					16,9"	16,9"	13,6"	14,8"	10,0"	11,1"										9,5"	10,1"	35'10"
50	4 pt. outriggers down					16,9"	16,9"	14,8"	14,8"	11,1"	11,1"										10,1"	10,1"	
45	Stabilizers raised							14,0"	15,3"	10,5"	13,4"	7,9"	10,2"								7,4"	9,3"	40'11"
45	4 pt. outriggers down							15,3"	15,3"	13,8"	13,8"	10,5"	10,5"								9,3"	9,3"	
40	Stabilizers raised							14,1"	15,1"	10,7"	13,5"	8,2"	10,5"								6,2"	8,2"	44'11"
40	4 pt. outriggers down							15,1"	15,1"	13,6"	13,6"	12,4"	12,4"								8,7"	8,7"	
35	Stabilizers raised							14,0"	15,2"	10,6"	13,5"	8,2"	10,6"	6,3"	8,4"						5,3"	7,2"	48' 1"
35	4 pt. outriggers down							15,2"	15,2"	13,6"	13,6"	12,4"	12,4"	11,4"	11,4"						8,4"	8,4"	
30	Stabilizers raised					17,6"	17,6"	13,6"	15,4"	10,4"	13,3"	8,1"	10,4"	6,3"	8,3"	4,9"	6,6"				4,7"	6,5"	50' 6"
30	4 pt. outriggers down					17,6"	17,6"	15,4"	15,4"	13,8"	13,8"	12,4"	12,4"	11,3"	11,3"	9,1"	9,1"				8,2"	8,2"	
25	Stabilizers raised							17,7"	18,3"	13,1"	15,8"	10,0"	12,9"	7,8"	10,2"	6,2"	4,9"	6,6"			4,3"	6,0"	52' 5"
25	4 pt. outriggers down					18,3"	18,3"	15,8"	15,8"	14,0"	14,0"	12,6"	12,6"	11,4"	11,4"	10,3"	10,3"				8,1"	8,1"	
20	Stabilizers raised			22,9"	22,9"	16,5"	19,2"	12,3"	15,9"	9,5"	12,3"	7,5"	9,8"	6,0"	8,0"	4,8"	6,5"				4,0"	5,6"	53' 8"
20	4 pt. outriggers down			22,9"	22,9"	19,2"	19,2"	16,4"	16,4"	14,4"	14,4"	12,8"	12,8"	11,5"	11,5"	10,3"	10,3"				8,1"	8,1"	
15	Stabilizers raised	32,7	33,0"	21,2	25,0"	15,1	19,7	11,4	14,9"	8,9	11,7	7,1	9,4"	5,7	7,7	4,6	6,4"				3,8	5,4"	54' 7"
15	4 pt. outriggers down	33,0"	33,0"	25,0"	25,0"	20,2"	20,2"	17,0"	17,0"	14,7"	14,7"	13,0"	13,0"	11,6"	11,6"	10,3"	10,3"				8,1"	8,1"	
10	Stabilizers raised	27,5	33,3"	18,6	25,1	13,6	18,2	10,5	13,9"	8,3	11,1	6,6	9,0"	5,4	7,4"	4,4	6,2"				3,6	5,2"	54'11"
10	4 pt. outriggers down	33,3"	33,3"	26,7"	26,7"	21,2"	21,2"	17,6"	17,6"	15,1"	15,1"	13,1"	13,1"	11,6"	11,6"	10,2"	10,2"				8,3"	8,3"	
5	Stabilizers raised	9,6"	9,6"	16,4	22,6"	12,3	16,7	9,6	13,0"	7,7	10,4	6,2	8,6"	5,1	7,1"	4,3	6,0"				3,6	5,2"	54'10"
5	4 pt. outriggers down	9,6"	9,6"	27,7"	27,7"	21,8"	21,8"	18,0"	18,0"	15,3"	15,3"	13,2"	13,2"	11,5"	11,5"	9,9"	9,9"				7,9"	7,9"	
0	Stabilizers raised	8,2"	8,2"	14,8	21,0"	11,2	15,6"	8,9	12,2"	7,2	9,9"	5,9	8,2"	4,9	6,9"	4,1	5,9"				3,6	5,2"	54' 4"
0	4 pt. outriggers down	8,2"	8,2"	21,5"	21,5"	21,9"	21,9"	18,0"	18,0"	15,2"	15,2"	13,0"	13,0"	11,1"	11,1"	9,3"	9,3"				7,2"	7,2"	
-5	Stabilizers raised	9,2"	9,2"	14,0	18,3"	10,5	14,9"	8,3	11,7"	6,8	9,5"	5,6	7,9"	4,7	6,7"	4,0	5,8"				3,8	5,4"	52' 6"
-5	4 pt. outriggers down	9,2"	9,2"	18,3"	18,3"	21,1"	21,1"	17,4"	17,4"	14,6"	14,6"	12,4"	12,4"	10,4"	10,4"	8,4"	8,4"				7,0"	7,0"	
-10	Stabilizers raised			13,6	18,4"	10,1	14,5"	8,0	11,4"	6,5	9,3"	5,5	7,7"	4,6	6,6"						4,2	6,1"	48' 1"
-10	4 pt. outriggers down			18,4"	18,4"	19,2"	19,2"	16,1"	16,1"	13,5"	13,5"	11,3"	11,3"	9,2"	9,2"						7,7"	7,7"	
-15	Stabilizers raised					10,0	14,3"	7,9	11,2"	6,5	9,2"										5,5	7,9"	39' 4"
-15	4 pt. outriggers down					16,1"	16,1"	13,7"	13,7"	11,5"	11,5"										9,7"	9,7"	

Height
 Can be slewed through 360°
 In longitudinal position of undercarriage
 Max. reach
 * Limited by hydr. capacity

The lift capacities on the stick end without attachment are stated in lb x 1,000 and are valid on a firm, level supporting surface with blocked oscillating axle. These capacities can be slewed through 360° with the undercarriage in the transverse position. Capacities in the longitudinal position of the undercarriage (+/- 15°) are specified over the steering axle with the stabilizers raised and over the rigid axle with the stabilizers down. Indicated loads based on the ISO 10567 standard and do not exceed 75% of tipping or 87% of hydraulic capacity. The lift capacity values indicated are attained at the corresponding operating temperature. This operating temperature is ensured by continuous movement of the boom. Weights of fitted attachments (grabs, load hooks, etc.) and load accommodation attachment are to be deducted from the lift capacity values. The lift capacity of the unit is limited by its stability, the lifting capability of the hydraulic elements, or the maximum permissible lifting capacity of the load hook.

LH 50 M – Equipment GA18

Industry – Kinematic 2A

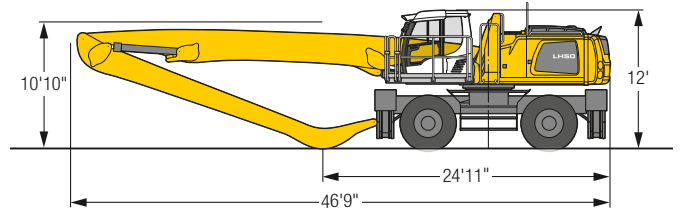


Operating Weight

The operating weight includes the basic machine with 4 point outriggers, hydr. cab elevation, 4 solid tires, straight boom 34'9", angled stick 26'3" and multi-tine grab GM 65/0.78 yd³ semi-closed tines.

Weight	98,100 lb
--------	-----------

Dimensions



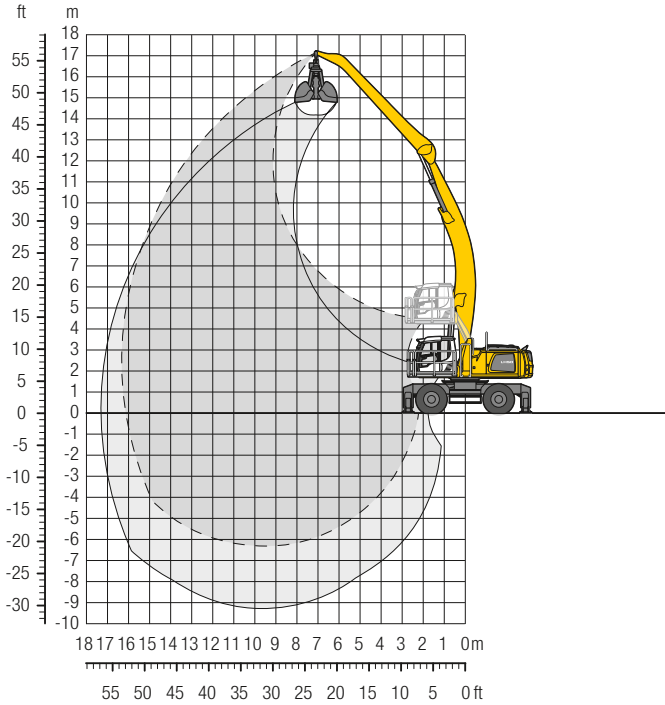
ft	Undercarriage	15 ft		20 ft		25 ft		30 ft		35 ft		40 ft		45 ft		50 ft		55 ft		ft in				
		Stabilizers raised	4 pt. outriggers down	Stabilizers raised	4 pt. outriggers down	Stabilizers raised	4 pt. outriggers down	Stabilizers raised	4 pt. outriggers down	Stabilizers raised	4 pt. outriggers down	Stabilizers raised	4 pt. outriggers down	Stabilizers raised	4 pt. outriggers down	Stabilizers raised	4 pt. outriggers down	Stabilizers raised	4 pt. outriggers down	Stabilizers raised	4 pt. outriggers down	ft in		
65	Stabilizers raised																				14,5"	14,5"	16'11"	
65	4 pt. outriggers down																					14,5"	14,5"	16'11"
60	Stabilizers raised					13,4"	13,4"															10,8"	10,8"	28'11"
60	4 pt. outriggers down					13,4"	13,4"															10,8"	10,8"	28'11"
55	Stabilizers raised					15,3"	15,3"	13,4"	13,4"	10,0	10,6"											9,1	9,3"	36' 6"
55	4 pt. outriggers down					15,3"	15,3"	13,4"	13,4"	10,6"	10,6"											9,3"	9,3"	36' 6"
50	Stabilizers raised							14,2	14,6"	10,6	12,9"	7,9	10,3									6,9	8,5"	42' 1"
50	4 pt. outriggers down							14,6"	14,6"	12,9"	12,9"	10,4"	10,4"									8,5"	8,5"	42' 1"
45	Stabilizers raised							14,4	14,4"	10,8	12,7"	8,2	10,6	6,1	8,2							5,5	7,5"	46' 7"
45	4 pt. outriggers down							14,4"	14,4"	12,7"	12,7"	11,4"	11,4"	9,6"	9,6"							8,0"	8,0"	46' 7"
40	Stabilizers raised							14,3	14,4"	10,8	12,7"	8,2	10,6	6,3	8,3	4,6	6,4					4,6	6,4	50' 1"
40	4 pt. outriggers down							14,4"	14,4"	12,7"	12,7"	11,4"	11,4"	10,3"	10,3"	7,8"	7,8"					7,7"	7,7"	50' 1"
35	Stabilizers raised							14,0	14,5"	10,5	12,8"	8,1	10,5	6,2	8,3	4,7	6,5					4,0	5,6	53"
35	4 pt. outriggers down							14,5"	14,5"	12,8"	12,8"	11,4"	11,4"	10,3"	10,3"	9,4"	9,4"					7,4"	7,4"	53"
30	Stabilizers raised					17,2"	17,2"	13,5	14,8"	10,2	12,9"	7,8	10,2	6,1	8,1	4,7	6,5	3,5	5,1			3,5	5,0	55' 2"
30	4 pt. outriggers down					17,2"	17,2"	14,8"	14,8"	12,9"	12,9"	11,5"	11,5"	10,3"	10,3"	9,4"	9,4"	7,6"	7,6"			7,3"	7,3"	55' 2"
25	Stabilizers raised					17,3	17,8"	12,7	15,1"	9,6	12,5	7,4	9,8	5,8	7,8	4,5	6,3	3,5	5,1			3,1	4,6	56'11"
25	4 pt. outriggers down					17,8"	17,8"	15,1"	15,1"	13,1"	13,1"	11,6"	11,6"	10,4"	10,4"	9,4"	9,4"	8,4"	8,4"			7,3"	7,3"	56'11"
20	Stabilizers raised	21,1"	21,1"	22,7	22,8"	15,8	18,5"	11,7	15,3	8,9	11,8	7,0	9,3	5,5	7,5	4,3	6,1	3,4	4,9			2,8	4,3	58' 1"
20	4 pt. outriggers down	21,1"	21,1"	22,8"	22,8"	18,5"	18,5"	15,6"	15,6"	13,4"	13,4"	11,8"	11,8"	10,5"	10,5"	9,4"	9,4"	8,4"	8,4"			7,3"	7,3"	58' 1"
15	Stabilizers raised	30,2	32,5"	19,7	24,2"	14,1	18,7	10,6	14,1	8,2	11,0	6,4	8,8	5,1	7,1	4,1	5,8	3,2	4,8			2,6	4,1	58'11"
15	4 pt. outriggers down	32,5"	32,5"	24,2"	24,2"	19,3"	19,3"	16,0"	16,0"	13,7"	13,7"	12,0"	12,0"	10,6"	10,6"	9,4"	9,4"	8,3"	8,3"			7,3"	7,3"	58'11"
10	Stabilizers raised	13,0"	13,0"	16,6	23,0	12,3	16,8	9,4	12,9	7,4	10,2	5,9	8,2	4,7	6,7	3,8	5,6	3,1	4,6			2,5	4,0	59' 2"
10	4 pt. outriggers down	13,0"	13,0"	25,3"	25,3"	19,9"	19,9"	16,4"	16,4"	13,9"	13,9"	12,1"	12,1"	10,6"	10,6"	9,3"	9,3"	8,1"	8,1"			6,9"	6,9"	59' 2"
5	Stabilizers raised	6,2"	6,2"	14,1	20,3	10,7	15,1	8,4	11,8	6,7	9,4	5,4	7,7	4,4	6,4	3,6	5,3	2,9	4,5			2,4	3,9	59' 2"
5	4 pt. outriggers down	6,2"	6,2"	21,1"	21,1"	20,2"	20,2"	16,6"	16,6"	14,0"	14,0"	12,1"	12,1"	10,5"	10,5"	9,1"	9,1"	7,8"	7,8"			6,5"	6,5"	59' 2"
0	Stabilizers raised	5,9"	5,9"	12,4	14,2"	9,5	13,8	7,5	10,9	6,1	8,8	4,9	7,2	4,1	6,0	3,3	5,1	2,8	4,3			2,4	3,9	58' 8"
0	4 pt. outriggers down	5,9"	5,9"	14,2"	14,2"	20,0"	20,0"	16,5"	16,5"	13,9"	13,9"	11,9"	11,9"	10,2"	10,2"	8,8"	8,8"	7,3"	7,3"			5,9"	5,9"	58' 8"
-5	Stabilizers raised	7,0"	7,0"	11,5	13,1"	8,7	13,0	6,9	10,2	5,6	8,3	4,6	6,9	3,8	5,8	3,2	4,9	2,7	4,2			2,5	4,0	57' 8"
-5	4 pt. outriggers down	7,0"	7,0"	13,1"	13,1"	19,1"	19,1"	15,8"	15,8"	13,3"	13,3"	11,4"	11,4"	9,7"	9,7"	8,2"	8,2"	6,5"	6,5"			5,2"	5,2"	57' 8"
-10	Stabilizers raised			11,2	13,6"	8,3	12,5	6,5	9,8	5,3	8,0	4,4	6,6	3,6	5,6	3,1	4,8					2,7	4,3	53'10"
-10	4 pt. outriggers down			13,6"	13,6"	17,2"	17,2"	14,6"	14,6"	12,4"	12,4"	10,5"	10,5"	8,8"	8,8"	7,2"	7,2"					5,7"	5,7"	53'10"
-15	Stabilizers raised					8,2	12,4	6,3	9,7	5,1	7,8	4,2	6,5	3,6	5,6							3,4	5,2	46'11"
-15	4 pt. outriggers down					14,5"	14,5"	12,6"	12,6"	10,7"	10,7"	9,0"	9,0"	7,4"	7,4"							6,7"	6,7"	46'11"

Height
 Can be slewed through 360°
 In longitudinal position of undercarriage
 Max. reach
 * Limited by hydr. capacity

The lift capacities on the stick end without attachment are stated in lb x 1,000 and are valid on a firm, level supporting surface with blocked oscillating axle. These capacities can be slewed through 360° with the undercarriage in the transverse position. Capacities in the longitudinal position of the undercarriage (+/- 15°) are specified over the steering axle with the stabilizers raised and over the rigid axle with the stabilizers down. Indicated loads based on the ISO 10567 standard and do not exceed 75% of tipping or 87% of hydraulic capacity. The lift capacity values indicated are attained at the corresponding operating temperature. This operating temperature is ensured by continuous movement of the boom. Weights of fitted attachments (grabs, load hooks, etc.) and load accommodation attachment are to be deducted from the lift capacity values. The lift capacity of the unit is limited by its stability, the lifting capability of the hydraulic elements, or the maximum permissible lifting capacity of the load hook.

LH 50 M – Equipment AF16

Industry – Kinematic 2D

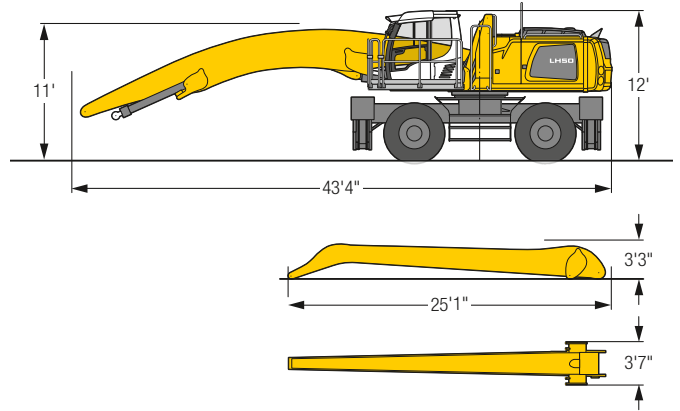


Operating Weight

The operating weight includes the basic machine with 4 point outriggers, hydr. cab elevation, 4 solid tires, angled boom 31'6", flat angled stick 24'7" and grab for loose material GM 20C/ 1.96 yd³.

Weight	98,100 lb
--------	-----------

Dimensions



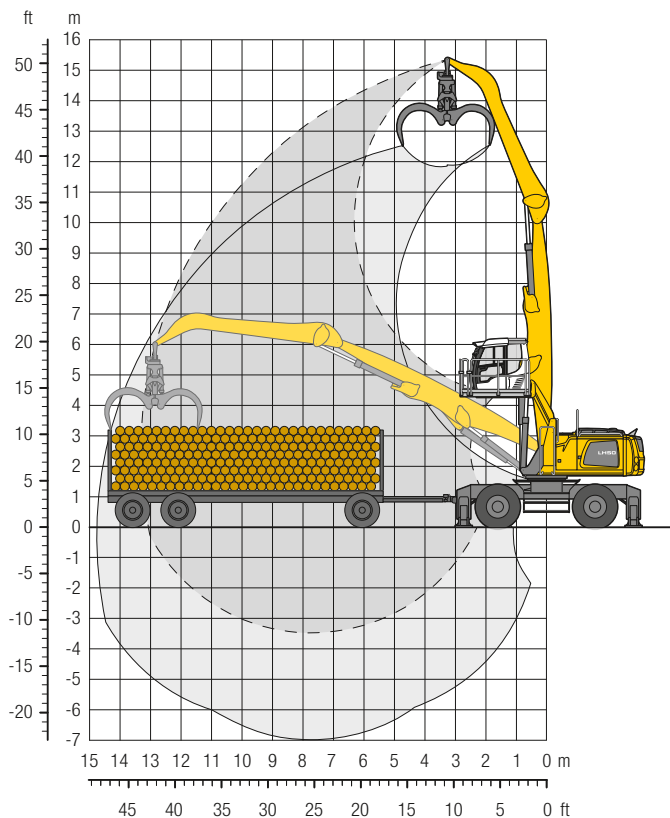
ft	Undercarriage	15 ft		20 ft		25 ft		30 ft		35 ft		40 ft		45 ft		50 ft		55 ft		ft in		
		Stabilizers raised	4 pt. outriggers down	Stabilizers raised	4 pt. outriggers down	Stabilizers raised	4 pt. outriggers down	Stabilizers raised	4 pt. outriggers down	Stabilizers raised	4 pt. outriggers down	Stabilizers raised	4 pt. outriggers down	Stabilizers raised	4 pt. outriggers down	Stabilizers raised	4 pt. outriggers down	Stabilizers raised	4 pt. outriggers down	Stabilizers raised	4 pt. outriggers down	ft in
60	Stabilizers raised																					
60	4 pt. outriggers down																					
55	Stabilizers raised					11,3*	11,3*													10,9*	10,9*	25' 5"
55	4 pt. outriggers down					11,3*	11,3*													10,9*	10,9*	
50	Stabilizers raised							11,9*	11,9*											9,5*	9,5*	33' 1"
50	4 pt. outriggers down							11,9*	11,9*											9,5*	9,5*	
45	Stabilizers raised							13,2*	13,2*	10,9	11,7*									8,8*	8,8*	38' 7"
45	4 pt. outriggers down							13,2*	13,2*	11,7*	11,7*									8,8*	8,8*	
40	Stabilizers raised							13,0*	13,0*	11,1	11,9*	8,4	10,9							7,2	8,4*	42' 10"
40	4 pt. outriggers down							13,0*	13,0*	11,9*	11,9*	11,0*	11,0*							8,4*	8,4*	
35	Stabilizers raised							13,1*	13,1*	11,0	11,9*	8,5	10,9	6,5	8,6					6,1	8,1	46' 1"
35	4 pt. outriggers down							13,1*	13,1*	11,9*	11,9*	10,9*	10,9*	9,4*	9,4*					8,2*	8,2*	
30	Stabilizers raised							13,3*	13,3*	10,8	12,0*	8,3	10,7	6,5	8,5					5,3	7,2	48' 8"
30	4 pt. outriggers down							13,3*	13,3*	12,0*	12,0*	11,0*	11,0*	10,2*	10,2*					8,1*	8,1*	
25	Stabilizers raised							13,6	13,8*	10,4	12,3*	8,1	10,5	6,3	8,4	4,9	6,7			4,8	6,5	50' 7"
25	4 pt. outriggers down							13,8*	13,8*	12,3*	12,3*	11,2*	11,2*	10,2*	10,2*	8,9*	8,9*			8,1*	8,1*	
20	Stabilizers raised					16,7*	16,7*	12,8	14,4*	9,8	12,7	7,7	10,1	6,1	8,1	4,8	6,6			4,4	6,1	52'
20	4 pt. outriggers down					16,7*	16,7*	14,4*	14,4*	12,7*	12,7*	11,4*	11,4*	10,4*	10,4*	9,5*	9,5*			8,2*	8,2*	
15	Stabilizers raised	28,8*	28,8*	21,9*	21,9*	15,7	17,8*	11,8	15,1*	9,1	12,0	7,2	9,6	5,8	7,8	4,6	6,4			4,1	5,7	52' 10"
15	4 pt. outriggers down	28,8*	28,8*	21,9*	21,9*	17,8*	17,8*	15,1*	15,1*	13,2*	13,2*	11,7*	11,7*	10,6*	10,6*	9,6*	9,6*			8,3*	8,3*	
10	Stabilizers raised	28,3	32,5*	19,1	23,8*	14,0	18,6	10,7	14,2	8,5	11,3	6,8	9,1	5,5	7,5	4,4	6,2			3,9	5,5	53' 2"
10	4 pt. outriggers down	32,5*	32,5*	23,8*	23,8*	18,9*	18,9*	15,8*	15,8*	13,6*	13,6*	12,0*	12,0*	10,7*	10,7*	9,6*	9,6*			8,6*	8,6*	
5	Stabilizers raised	15,3*	15,3*	16,7	23,0	12,5	17,0	9,7	13,2	7,8	10,6	6,3	8,6	5,1	7,2	4,2	6,0			3,7	5,4	53' 1"
5	4 pt. outriggers down	15,3*	15,3*	25,4*	25,4*	19,9*	19,9*	16,4*	16,4*	14,0*	14,0*	12,2*	12,2*	10,8*	10,8*	9,6*	9,6*			8,8*	8,8*	
0	Stabilizers raised	11,9*	11,9*	14,9	21,1	11,3	15,7	8,9	12,3	7,2	10,0	5,9	8,2	4,9	6,9	4,0	5,8			3,7	5,3	52' 7"
0	4 pt. outriggers down	11,9*	11,9*	26,1*	26,1*	20,5*	20,5*	16,8*	16,8*	14,3*	14,3*	12,3*	12,3*	10,8*	10,8*	9,4*	9,4*			8,6*	8,6*	
-5	Stabilizers raised	12,0*	12,0*	13,8	19,9	10,4	14,8	8,3	11,6	6,7	9,5	5,5	7,9	4,6	6,6	3,9	5,7			3,7	5,4	51' 6"
-5	4 pt. outriggers down	12,0*	12,0*	21,5*	21,5*	20,5*	20,5*	16,8*	16,8*	14,2*	14,2*	12,2*	12,2*	10,5*	10,5*	8,9*	8,9*			8,4*	8,4*	
-10	Stabilizers raised	13,0*	13,0*	13,2	19,3	9,9	14,3	7,8	11,2	6,4	9,1	5,3	7,6	4,5	6,5					3,9	5,6	49' 11"
-10	4 pt. outriggers down	13,0*	13,0*	20,5*	20,5*	19,8*	19,8*	16,4*	16,4*	13,8*	13,8*	11,7*	11,7*	9,9*	9,9*					8,0*	8,0*	
-15	Stabilizers raised			13,1	19,1	9,7	14,0	7,6	11,0	6,2	9,0	5,2	7,5	4,4	6,4					4,2	6,1	47' 1"
-15	4 pt. outriggers down			20,9*	20,9*	18,2*	18,2*	15,2*	15,2*	12,8*	12,8*	10,7*	10,7*	8,7*	8,7*					7,8*	7,8*	
-20	Stabilizers raised							7,6	11,0	6,2	9,0									5,9	8,4	36' 7"
-20	4 pt. outriggers down							13,2*	13,2*	11,0*	11,0*									10,3*	10,3*	

Height
 Can be slewed through 360°
 In longitudinal position of undercarriage
 Max. reach
 * Limited by hydr. capacity

The lift capacities on the stick end without attachment are stated in lb x 1,000 and are valid on a firm, level supporting surface with blocked oscillating axle. These capacities can be slewed through 360° with the undercarriage in the transverse position. Capacities in the longitudinal position of the undercarriage (+/- 15°) are specified over the steering axle with the stabilizers raised and over the rigid axle with the stabilizers down. Indicated loads based on the ISO 10567 standard and do not exceed 75% of tipping or 87% of hydraulic capacity. The lift capacity values indicated are attained at the corresponding operating temperature. This operating temperature is ensured by continuous movement of the boom. Weights of fitted attachments (grabs, load hooks, etc.) and load accommodation attachment are to be deducted from the lift capacity values. The lift capacity of the unit is limited by its stability, the lifting capability of the hydraulic elements, or the maximum permissible lifting capacity of the load hook.

LH 50 M – Equipment GA13

Industry – Kinematic 2A

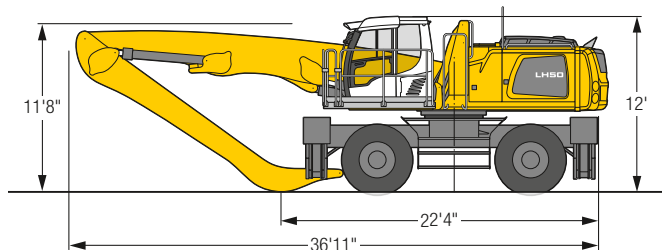


Operating Weight

The operating weight includes the basic machine with 4 point outriggers, hydr. cab elevation, 4 pneumatic tires, straight boom 24'11", angled stick 19'8" and wood grab GM 20B/2.27 yd².

Weight 92,800 lb

Dimensions



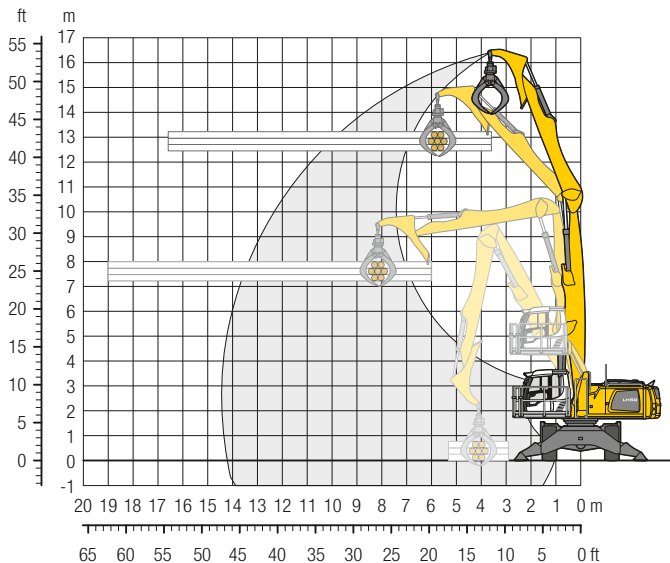
ft	Undercarriage	15 ft		20 ft		25 ft		30 ft		35 ft		40 ft		45 ft		50 ft		55 ft		ft in				
		Stabilizers raised	4 pt. outriggers down	Stabilizers raised	4 pt. outriggers down	Stabilizers raised	4 pt. outriggers down	Stabilizers raised	4 pt. outriggers down	Stabilizers raised	4 pt. outriggers down	Stabilizers raised	4 pt. outriggers down	Stabilizers raised	4 pt. outriggers down	Stabilizers raised	4 pt. outriggers down	Stabilizers raised	4 pt. outriggers down	Stabilizers raised	4 pt. outriggers down	ft in		
50	Stabilizers raised																				21,1"	21,1"	12' 8"	
45	Stabilizers raised			19,3"	19,3"																	21,1"	21,1"	23' 7"
40	Stabilizers raised			19,3"	19,3"																	14,7"	14,7"	30' 1"
35	Stabilizers raised			21,9"	21,9"	17,1"	18,9"	12,4"	12,7"													12,3"	12,6"	34' 7"
30	Stabilizers raised			21,9"	21,9"	18,9"	18,9"	12,7"	12,7"													12,6"	12,6"	38'
25	Stabilizers raised					17,4"	19,5"	12,8"	16,2"	9,8"	12,5"											11,6"	11,6"	40' 5"
20	Stabilizers raised					19,5"	19,5"	17,6"	17,6"	16,2"	16,2"											11,0"	11,0"	42' 1"
15	Stabilizers raised			22,9"	22,9"	17,0"	20,0"	12,6"	16,0"	9,7"	12,4"	7,5"	9,8"									7,4"	9,6"	43' 2"
10	Stabilizers raised			22,9"	22,9"	20,0"	20,0"	17,9"	17,9"	16,2"	16,2"	11,8"	11,8"									10,7"	10,7"	43' 8"
5	Stabilizers raised			23,1"	24,5"	16,3"	20,8"	12,2"	15,6"	9,5"	12,2"	7,5"	9,7"									6,8"	8,9"	42' 11"
0	Stabilizers raised			24,5"	24,5"	20,9"	20,9"	18,4"	18,4"	16,4"	16,4"	14,8"	14,8"									10,6"	10,6"	39' 8"
-5	Stabilizers raised	33,5"	33,9"	21,6"	26,6"	15,5"	19,9"	11,7"	15,1"	9,2"	11,9"	7,3"	9,6"									6,4"	8,4"	39' 8"
-10	Stabilizers raised	33,9"	33,9"	26,6"	26,6"	22,1"	22,1"	19,0"	19,0"	16,7"	16,7"	14,8"	14,8"									10,6"	10,6"	32' 1"
	Stabilizers raised	29,9"	38,4"	19,9"	26,1"	14,5"	18,9"	11,1"	14,4"	8,8"	11,5"	7,2"	9,4"									6,2"	8,2"	
	Stabilizers raised	38,4"	38,4"	28,8"	28,8"	23,3"	23,3"	19,7"	19,7"	17,0"	17,0"	14,7"	14,7"									10,8"	10,8"	
	Stabilizers raised	26,9"	33,8"	18,3"	24,4"	13,6"	17,9"	10,6"	13,9"	8,5"	11,1"	7,0"	9,2"									6,1"	8,1"	
	Stabilizers raised	33,8"	33,8"	30,5"	30,5"	24,2"	24,2"	20,0"	20,0"	17,0"	17,0"	14,3"	14,3"									11,3"	11,3"	
	Stabilizers raised	21,3"	21,3"	17,2"	23,2"	12,9"	17,1"	10,1"	13,4"	8,2"	10,9"	6,8"	9,0"									6,2"	8,3"	
	Stabilizers raised	20,8"	20,8"	16,6"	22,6"	12,4"	16,6"	9,8"	13,1"	8,0"	10,7"											10,8"	10,8"	
	Stabilizers raised	20,8"	20,8"	28,8"	28,8"	23,0"	23,0"	18,7"	18,7"	15,1"	15,1"											6,8"	9,1"	
	Stabilizers raised	16,4"	22,4"	12,2"	16,5"	9,7"	13,0"															11,4"	11,4"	
	Stabilizers raised	24,4"	24,4"	19,9"	19,9"	16,0"	16,0"															8,9"	11,9"	
	Stabilizers raised																					14,4"	14,4"	

Height Can be slewed through 360° In longitudinal position of undercarriage Max. reach * Limited by hydr. capacity

The lift capacities on the stick end without attachment are stated in lb x 1,000 and are valid on a firm, level supporting surface with blocked oscillating axle. These capacities can be slewed through 360° with the undercarriage in the transverse position. Capacities in the longitudinal position of the undercarriage (+/- 15°) are specified over the steering axle with the stabilizers raised and over the rigid axle with the stabilizers down. Indicated loads based on the ISO 10567 standard and do not exceed 75% of tipping or 87% of hydraulic capacity. The lift capacity values indicated are attained at the corresponding operating temperature. This operating temperature is ensured by continuous movement of the boom. Weights of fitted attachments (grabs, load hooks, etc.) and load accommodation attachment are to be deducted from the lift capacity values. The lift capacity of the unit is limited by its stability, the lifting capability of the hydraulic elements, or the maximum permissible lifting capacity of the load hook.

LH 50 M – Equipment GKG14

Industry – Kinematic 2A

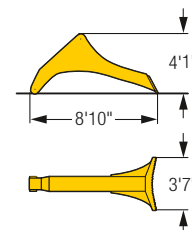
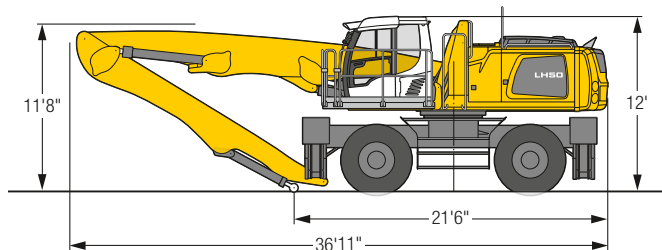


Operating Weight

The operating weight includes the basic machine with 4 point outriggers, hydr. cab elevation, 4 solid tires, straight boom 24'11", stick 19' with counterstay and wood grab 0.84 yd².

Weight 95,700 lb

Dimensions



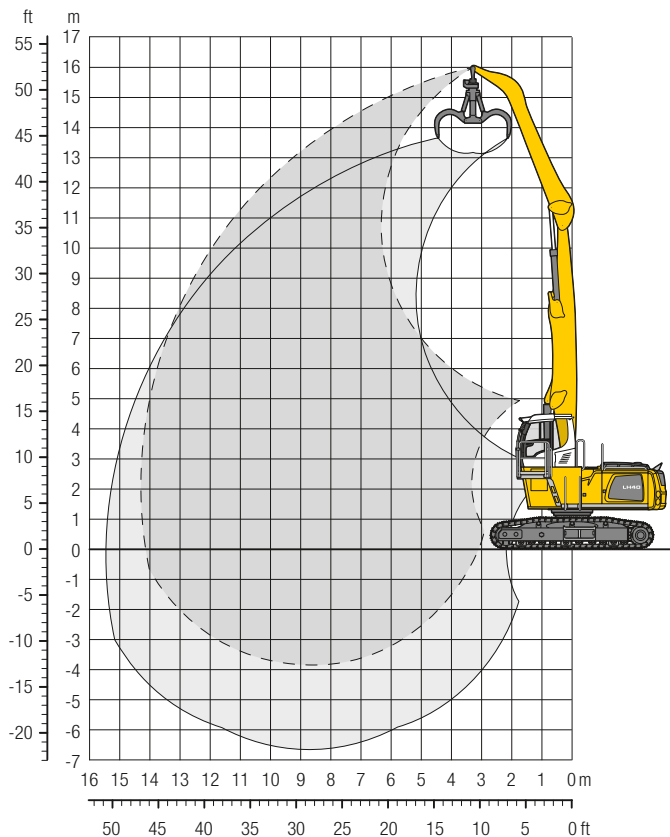
ft	Undercarriage	15 ft		20 ft		25 ft		30 ft		35 ft		40 ft		45 ft		50 ft		55 ft		ft in		
		Stabilizers raised	4 pt. outriggers down	Stabilizers raised	4 pt. outriggers down	Stabilizers raised	4 pt. outriggers down	Stabilizers raised	4 pt. outriggers down	Stabilizers raised	4 pt. outriggers down	Stabilizers raised	4 pt. outriggers down	Stabilizers raised	4 pt. outriggers down	Stabilizers raised	4 pt. outriggers down	Stabilizers raised	4 pt. outriggers down	Stabilizers raised	4 pt. outriggers down	Stabilizers raised
50	Stabilizers raised			15,7*	15,7*															13,0*	13,0*	22' 5"
	4 pt. outriggers down			15,7*	15,7*															13,0*	13,0*	22' 5"
45	Stabilizers raised					15,5*	15,5*													10,5*	10,5*	30'
	4 pt. outriggers down					15,5*	15,5*													10,5*	10,5*	30'
40	Stabilizers raised					17,3*	17,3*	12,8	14,8*	9,3	9,6*									9,1	9,2*	35' 2"
	4 pt. outriggers down					17,3*	17,3*	14,8*	14,8*	9,6*	9,6*									9,2*	9,2*	35' 2"
35	Stabilizers raised					16,9*	16,9*	13,0	15,4*	9,6	12,5									7,4	8,5*	39' 2"
	4 pt. outriggers down					16,9*	16,9*	15,4*	15,4*	13,7*	13,7*									8,5*	8,5*	39' 2"
30	Stabilizers raised					16,9*	16,9*	13,0	15,3*	9,7	12,5	7,3	9,6							6,4	8,1*	42' 2"
	4 pt. outriggers down					16,9*	16,9*	15,3*	15,3*	14,0*	14,0*	11,6*	11,6*							8,1*	8,1*	42' 2"
25	Stabilizers raised					17,4*	17,4*	12,7	15,6*	9,5	12,4	7,2	9,6							5,6	7,7	44' 5"
	4 pt. outriggers down					17,4*	17,4*	15,6*	15,6*	14,1*	14,1*	13,0*	13,0*							7,8*	7,8*	44' 5"
20	Stabilizers raised					16,7	18,2*	12,2	15,8	9,2	12,0	7,1	9,4	5,4	7,4					5,2	7,1	45' 11"
	4 pt. outriggers down					18,2*	18,2*	16,1*	16,1*	14,4*	14,4*	13,1*	13,1*	9,8*	9,8*					7,7*	7,7*	45' 11"
15	Stabilizers raised			22,6	23,1*	15,7	19,4*	11,6	15,1	8,8	11,6	6,8	9,2	5,3	7,3					4,8	6,7	46' 11"
	4 pt. outriggers down			23,1*	23,1*	19,4*	19,4*	16,8*	16,8*	14,8*	14,8*	13,2*	13,2*	11,7*	11,7*					7,7*	7,7*	46' 11"
10	Stabilizers raised	32,2	33,4*	20,6	25,5*	14,6	19,1	10,8	14,3	8,3	11,1	6,5	8,9	5,2	7,2					4,7	6,5	47' 5"
	4 pt. outriggers down	33,4*	33,4*	25,5*	25,5*	20,8*	20,8*	17,6*	17,6*	15,2*	15,2*	13,3*	13,3*	11,5*	11,5*					7,9*	7,9*	47' 5"
5	Stabilizers raised	28,1	37,6*	18,6	25,0	13,4	17,9	10,1	13,5	7,9	10,6	6,2	8,6	5,0	7,0					4,6	6,5	47' 4"
	4 pt. outriggers down	37,6*	37,6*	27,7*	27,7*	22,0*	22,0*	18,2*	18,2*	15,5*	15,5*	13,3*	13,3*	11,1*	11,1*					8,1*	8,1*	47' 4"
0	Stabilizers raised	25,2	28,4*	16,9	23,2	12,4	16,8	9,5	12,9	7,4	10,2	6,0	8,3	4,9	6,9					4,6	6,5	46' 7"
	4 pt. outriggers down	28,4*	28,4*	28,9*	28,9*	22,6*	22,6*	18,5*	18,5*	15,5*	15,5*	12,9*	12,9*	10,1*	10,1*					8,5*	8,5*	46' 7"
-5	Stabilizers raised	21,3*	21,3*	15,8	22,0	11,6	16,0	9,0	12,4	7,1	9,9	5,8	8,1							5,0	7,0	44' 5"
	4 pt. outriggers down	21,3*	21,3*	28,5*	28,5*	22,3*	22,3*	18,1*	18,1*	14,8*	14,8*	11,9*	11,9*							8,7*	8,7*	44' 5"
-10	Stabilizers raised	21,3*	21,3*	15,3	21,4	11,2	15,6	8,7	12,1	7,0	9,7									5,8	8,2	39' 7"
	4 pt. outriggers down	21,3*	21,3*	26,0*	26,0*	20,6*	20,6*	16,5*	16,5*	13,1*	13,1*									9,9*	9,9*	39' 7"

Height
 Can be slewed through 360°
 In longitudinal position of undercarriage
 Max. reach
 * Limited by hydr. capacity

The lift capacities on the stick end without attachment are stated in lb x 1,000 and are valid on a firm, level supporting surface with blocked oscillating axle. These capacities can be slewed through 360° with the undercarriage in the transverse position. Capacities in the longitudinal position of the undercarriage (+/- 15°) are specified over the steering axle with the stabilizers raised and over the rigid axle with the stabilizers down. Indicated loads based on the ISO 10567 standard and do not exceed 75% of tipping or 87% of hydraulic capacity. The lift capacity values indicated are attained at the corresponding operating temperature. This operating temperature is ensured by continuous movement of the boom. Weights of fitted attachments (grabs, load hooks, etc.) and load accommodation attachment are to be deducted from the lift capacity values. The lift capacity of the unit is limited by its stability, the lifting capability of the hydraulic elements, or the maximum permissible lifting capacity of the load hook.

LH 40 C – Equipment GA14

Industry – Kinematic 2A

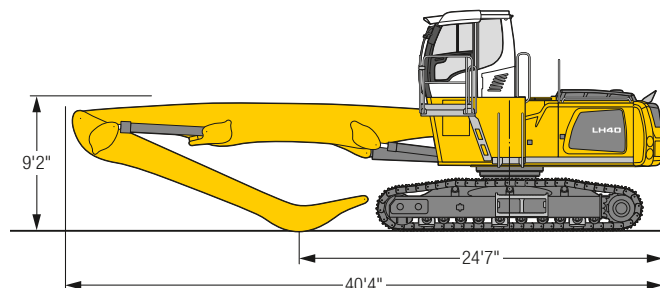


Operating Weight and Ground Pressure

The operating weight includes the basic machine with rigid cab elevation, straight boom 28'3", angled stick 19'8" and multi-tine grab GM 70C/1.05 yd³ semi-closed tines.

Weight	88,400 lb
Pad width	24"
Ground pressure	on request

Dimensions



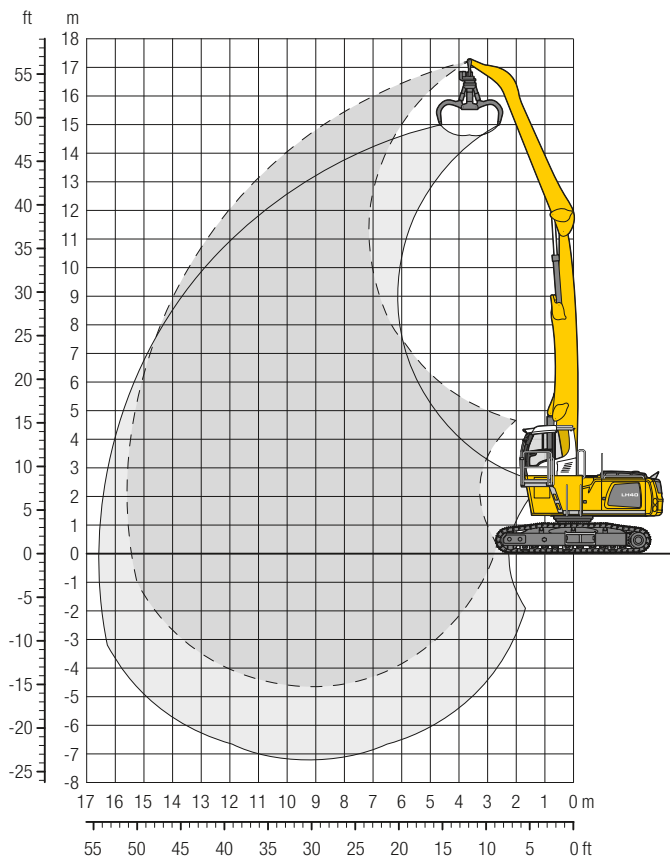
ft	Undercarriage	15 ft		20 ft		25 ft		30 ft		35 ft		40 ft		45 ft		50 ft		ft in			
		EW	EW	EW	EW	EW	EW	EW	EW	EW	EW	EW	EW	EW	EW	EW	EW	EW	EW	EW	
55	EW																				
50	EW	21,2*	21,2*																17,6*	17,6*	18' 4"
45	EW			20,8*	20,8*	17,0*	17,0*												13,9*	13,9*	27' 4"
40	EW					18,0*	18,0*	16,0*	16,0*										12,3*	12,3*	33' 2"
35	EW					17,8*	17,8*	15,7*	15,7*	14,2*	14,2*								11,4*	11,4*	37' 7"
30	EW					17,9*	17,9*	15,7*	15,7*	14,1*	14,1*	12,6	12,7*						10,9*	10,9*	40' 11"
25	EW			21,7*	21,7*	18,3*	18,3*	16,0*	16,0*	14,2*	14,2*	12,6	12,7*						10,7*	10,7*	43' 4"
20	EW	27,2*	27,2*	22,9*	22,9*	19,0*	19,0*	16,4*	16,4*	14,4*	14,4*	12,4	12,7*	10,1	10,8*				10,1	10,6*	45' 1"
15	EW	32,2*	32,2*	24,5*	24,5*	19,9*	19,9*	16,8*	16,8*	14,6*	14,6*	12,2	12,8*	10,0	11,0*				9,6	10,5*	46' 2"
10	EW	35,2*	35,2*	26,0*	26,0*	20,7*	20,7*	17,2*	17,2*	14,5	14,7*	11,9	12,7*	9,9	10,8*				9,3	9,9*	46' 10"
5	EW	13,6*	13,6*	26,7*	26,7*	21,1*	21,1*	17,4*	17,4*	14,1	14,7*	11,6	12,5*	9,8	10,3*				9,2*	9,2*	46' 11"
0	EW	11,4*	11,4*	26,2*	26,2*	20,8*	20,8*	16,9	17,1*	13,7	14,2*	11,4	11,9*	9,3*	9,3*				8,3*	8,3*	46' 5"
-5	EW	12,9*	12,9*	24,0*	24,0*	19,5*	19,5*	16,0*	16,0*	13,2*	13,2*	10,7*	10,7*						8,2*	8,2*	44' 1"
-10	EW			20,1*	20,1*	16,9*	16,9*	14,0*	14,0*	11,4*	11,4*								9,5*	9,5*	38' 5"
-15	EW																				

Height
 Can be slewed through 360°
 In longitudinal position of undercarriage
 Max. reach
 * Limited by hydr. capacity

The lift capacities on the stick end without attachment are stated in lb x 1,000 and can be slewed through 360° on a firm, level supporting surface. Capacities are valid for 30" wide triple grouser pads (resp. flat pads). Indicated loads based on the ISO 10567 standard and do not exceed 75% of tipping or 87% of hydraulic capacity. The lift capacity values indicated are attained at the corresponding operating temperature. This operating temperature is ensured by continuous movement of the boom. Weights of fitted attachments (grabs, load hooks, etc.) and load accommodation attachment are to be deducted from the lift capacity values. The lift capacity of the unit is limited by its stability, the lifting capability of the hydraulic elements, or the maximum permissible lifting capacity of the load hook.

LH 40 C – Equipment GA16

Industry – Kinematic 2A

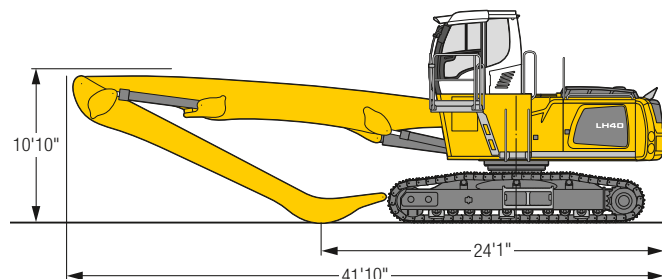


Operating Weight and Ground Pressure

The operating weight includes the basic machine with rigid cab elevation, straight boom 29'10", angled stick 22'4" and multi-tine grab GM 65/0.78 yd³ semi-closed tines.

Weight	88,400 lb
Pad width	24"
Ground pressure	on request

Dimensions



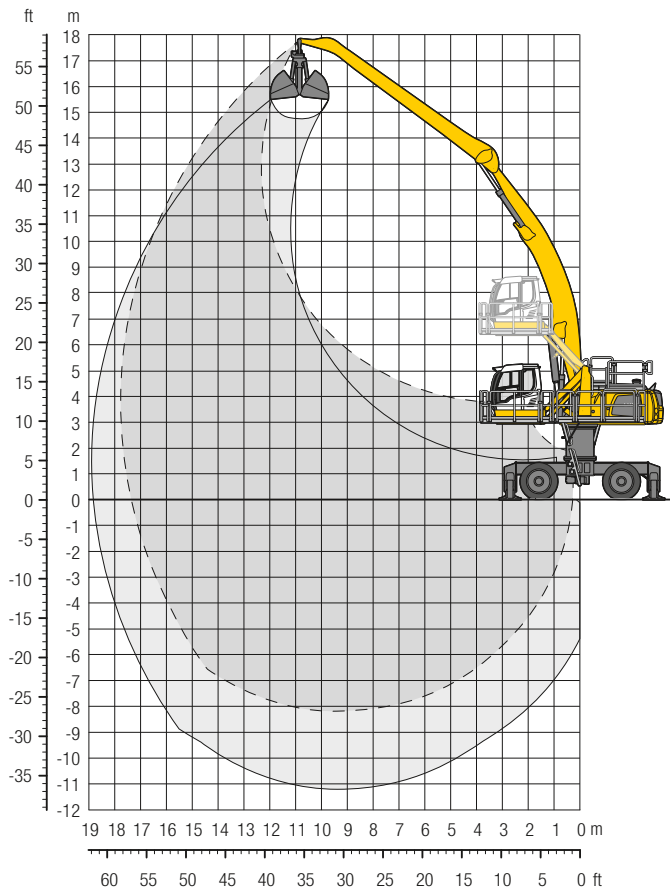
ft	Undercarriage	15 ft		20 ft		25 ft		30 ft		35 ft		40 ft		45 ft		50 ft		ft in		
55	EW	19,0*	19,0*															17,1*	17,1*	16'11"
50	EW			18,7*	18,7*	15,4*	15,4*											12,8*	12,8*	27' 5"
45	EW					17,3*	17,3*	15,3*	15,3*									11,1*	11,1*	34'
40	EW					16,9*	16,9*	14,9*	14,9*	13,4*	13,4*							10,2*	10,2*	38'11"
35	EW					16,8*	16,8*	14,8*	14,8*	13,2*	13,2*	12,0*	12,0*					9,7*	9,7*	42' 8"
30	EW					17,1*	17,1*	14,9*	14,9*	13,3*	13,3*	12,0*	12,0*	10,3	10,5*			9,3*	9,3*	45' 7"
25	EW			20,8*	20,8*	17,5*	17,5*	15,2*	15,2*	13,4*	13,4*	12,0*	12,0*	10,3	10,8*			9,1	9,2*	47'10"
20	EW			22,0*	22,0*	18,2*	18,2*	15,6*	15,6*	13,6*	13,6*	12,1*	12,1*	10,2	10,8*			8,5	9,1*	49' 5"
15	EW	30,8*	30,8*	23,5*	23,5*	19,0*	19,0*	16,1*	16,1*	13,9*	13,9*	12,1	12,2*	10,0	10,7*	8,3	9,2*	8,2	9,0*	50' 6"
10	EW	33,7*	33,7*	24,9*	24,9*	19,8*	19,8*	16,5*	16,5*	14,1*	14,1*	11,7	12,2*	9,7	10,6*	8,2	8,9*	7,9	8,5*	51'
5	EW	12,7*	12,7*	25,7*	25,7*	20,3*	20,3*	16,7*	16,7*	13,8	14,1*	11,3	12,1*	9,5	10,4*	8,1	8,4*	7,8	7,9*	51'
0	EW	9,7*	9,7*	25,4*	25,4*	20,1*	20,1*	16,5	16,5	13,3	13,9*	11,0	11,8*	9,3	9,9*	7,5*	7,5*	7,1*	7,1*	50' 7"
-5	EW	10,6*	10,6*	22,6*	22,6*	19,2*	19,2*	15,8*	15,8*	12,9	13,2*	10,8	11,0*	8,9*	8,9*			6,7*	6,7*	49'
-10	EW			20,6*	20,6*	17,2*	17,2*	14,3*	14,3*	11,9*	11,9*	9,7*	9,7*					7,5*	7,5*	44' 7"
-15	EW							11,8*	11,8*									10,3*	10,3*	33' 6"

Height Can be slewed through 360° In longitudinal position of undercarriage Max. reach * Limited by hydr. capacity

The lift capacities on the stick end without attachment are stated in lb x 1,000 and can be slewed through 360° on a firm, level supporting surface. Capacities are valid for 30" wide triple grouser pads (resp. flat pads). Indicated loads based on the ISO 10567 standard and do not exceed 75% of tipping or 87% of hydraulic capacity. The lift capacity values indicated are attained at the corresponding operating temperature. This operating temperature is ensured by continuous movement of the boom. Weights of fitted attachments (grabs, load hooks, etc.) and load accommodation attachment are to be deducted from the lift capacity values. The lift capacity of the unit is limited by its stability, the lifting capability of the hydraulic elements, or the maximum permissible lifting capacity of the load hook.

LH 50 M HR – Equipment AF18

Industry – Kinematic 2C

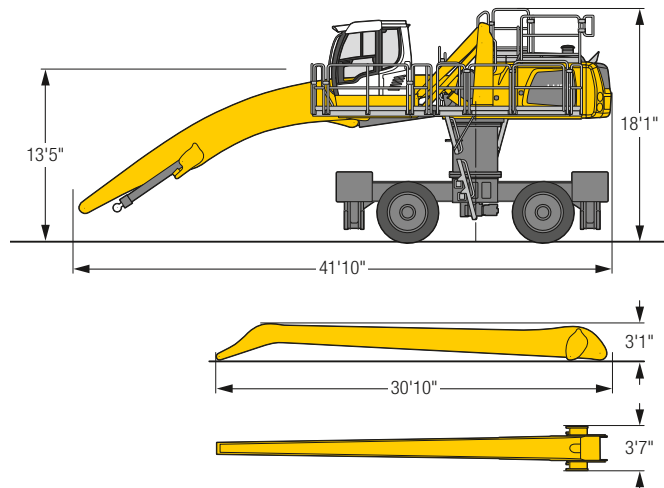


Operating Weight

The operating weight includes the basic machine with 4 point outriggers, turret 3'11", hydr. cab elevation, 4 solid tires, angled boom 31'6", flat angled stick 29'6" and grab for loose material GM 20C/1.96 yd³.

Weight 100,100 lb

Dimensions



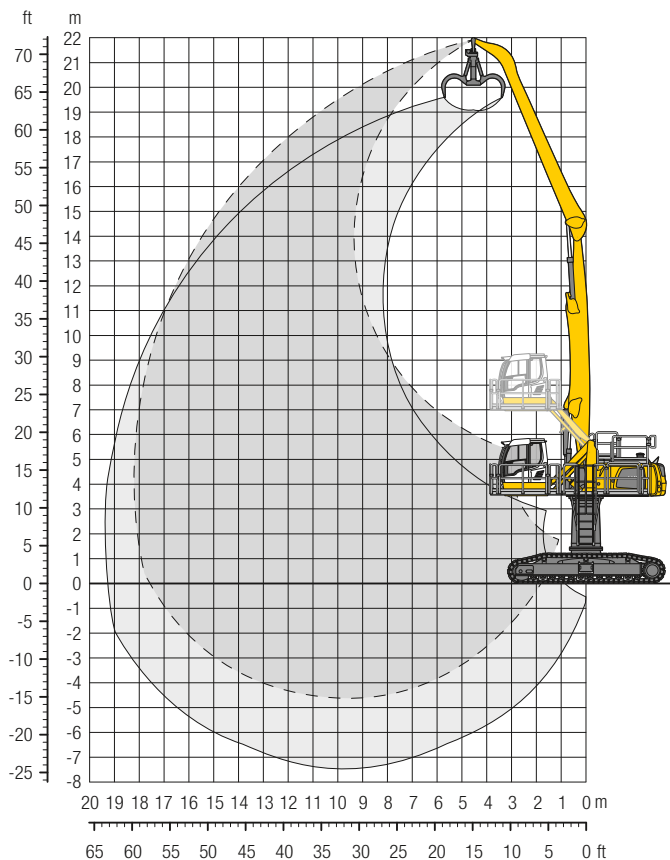
ft	Undercarriage	15 ft		20 ft		25 ft		30 ft		35 ft		40 ft		45 ft		50 ft		55 ft		ft in			
		4 pt. outriggers down	4 pt. outriggers down	4 pt. outriggers down	4 pt. outriggers down	4 pt. outriggers down	4 pt. outriggers down	4 pt. outriggers down	4 pt. outriggers down	4 pt. outriggers down	4 pt. outriggers down	4 pt. outriggers down	4 pt. outriggers down	4 pt. outriggers down	4 pt. outriggers down	4 pt. outriggers down	4 pt. outriggers down	4 pt. outriggers down	4 pt. outriggers down	4 pt. outriggers down	4 pt. outriggers down	4 pt. outriggers down	
65	4 pt. outriggers down																				8,6"	8,6"	32' 4"
60	4 pt. outriggers down							10,1"	10,1"												7,7"	7,7"	38' 10"
55	4 pt. outriggers down									10,1"	10,1"										7,2"	7,2"	43' 10"
50	4 pt. outriggers down									11,2"	11,2"	9,7"	9,7"								6,8"	6,8"	47' 8"
45	4 pt. outriggers down									11,0"	11,0"	10,2"	10,2"	9,5"	9,5"	7,5"	7,5"				6,6"	6,6"	50' 11"
40	4 pt. outriggers down									11,2"	11,2"	10,2"	10,2"	9,5"	9,5"	8,9"	8,9"				6,5"	6,5"	53' 5"
35	4 pt. outriggers down									11,4"	11,4"	10,4"	10,4"	9,6"	9,6"	8,9"	8,9"	6,8"	6,8"		6,5"	6,5"	55' 4"
30	4 pt. outriggers down							13,2"	13,2"	11,8"	11,8"	10,7"	10,7"	9,8"	9,8"	9,0"	9,0"	8,3"	8,3"		6,5"	6,5"	56' 8"
25	4 pt. outriggers down																				6,6"	6,6"	57' 7"
20	4 pt. outriggers down					16,0"	16,0"	13,8"	13,8"	12,2"	12,2"	11,0"	11,0"	10,0"	10,0"	9,2"	9,2"	8,4"	8,4"		6,6"	6,6"	57' 7"
15	4 pt. outriggers down			21,1"	21,1"	17,2"	17,2"	14,6"	14,6"	12,7"	12,7"	11,3"	11,3"	10,2"	10,2"	9,3"	9,3"	8,5"	8,5"		6,8"	6,8"	58' 1"
10	4 pt. outriggers down	31,1"	31,1"	23,0"	23,0"	18,4"	18,4"	15,4"	15,4"	13,2"	13,2"	11,6"	11,6"	10,4"	10,4"	9,4"	9,4"	8,5"	8,5"		7,0"	7,0"	58' 2"
5	4 pt. outriggers down	20,2"	20,2"	24,6"	24,6"	19,4"	19,4"	16,0"	16,0"	13,7"	13,7"	11,9"	11,9"	10,6"	10,6"	9,4"	9,4"	8,4"	8,4"		7,3"	7,3"	57' 10"
0	4 pt. outriggers down	13,7"	13,7"	25,6"	25,6"	20,1"	20,1"	16,5"	16,5"	14,0"	14,0"	12,1"	12,1"	10,6"	10,6"	9,4"	9,4"	8,2"	8,2"		7,6"	7,6"	57'
-5	4 pt. outriggers down	12,8"	12,8"	23,1"	23,1"	20,2"	20,2"	16,6"	16,6"	14,0"	14,0"	12,1"	12,1"	10,5"	10,5"	9,1"	9,1"	7,6"	7,6"		7,4"	7,4"	55' 8"
-10	4 pt. outriggers down	13,2"	13,2"	21,0"	21,0"	19,8"	19,8"	16,3"	16,3"	13,7"	13,7"	11,8"	11,8"	10,1"	10,1"	8,5"	8,5"				7,0"	7,0"	54'
-15	4 pt. outriggers down	14,0"	14,0"	20,8"	20,8"	18,5"	18,5"	15,4"	15,4"	13,0"	13,0"	11,0"	11,0"	9,2"	9,2"	7,3"	7,3"				6,9"	6,9"	50' 10"
-20	4 pt. outriggers down					16,3"	16,3"	13,6"	13,6"	11,4"	11,4"	9,5"	9,5"								8,5"	8,5"	42' 7"

Height
 Can be slewed through 360°
 In longitudinal position of undercarriage
 Max. reach
 * Limited by hydr. capacity

The lift capacities on the stick end without attachment are stated in lb x 1,000 and are valid on a firm, level supporting surface with blocked oscillating axle. These capacities can be slewed through 360° with the undercarriage in the transverse position. Capacities in the longitudinal position of the undercarriage (+/- 15°) are specified over the rigid axle with the stabilizers down. Indicated loads based on the ISO 10567 standard and do not exceed 75% of tipping or 87% of hydraulic capacity. The lift capacity values indicated are attained at the corresponding operating temperature. This operating temperature is ensured by continuous movement of the boom. Weights of fitted attachments (grabs, load hooks, etc.) and load accommodation attachment are to be deducted from the lift capacity values. The lift capacity of the unit is limited by its stability, the lifting capability of the hydraulic elements, or the maximum permissible lifting capacity of the load hook.

LH 50 C HR – Equipment GA18

Industry – Kinematic 2A

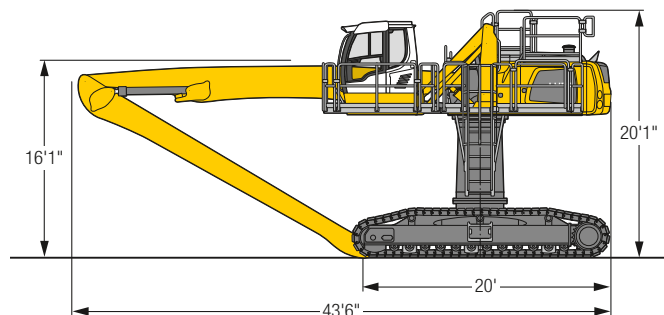


Operating Weight and Ground Pressure

The operating weight includes the basic machine with turret 6'7", hydr. cab elevation, straight boom 31'6", angled stick 29'6" and multi-tine grab GM 70C/1.05 yd³ semi-closed tines.

Weight	118,600 lb
Pad width	24"
Ground pressure	on request

Dimensions



ft	Undercarriage	15 ft		20 ft		25 ft		30 ft		35 ft		40 ft		45 ft		50 ft		55 ft		ft in		
		SW	SW	SW	SW	SW	SW	SW	SW	SW	SW	SW	SW	SW	SW	SW	SW	SW	SW	SW	SW	SW
70	SW			13,5*	13,5*															12,6*	12,6*	21' 2"
65	SW					13,6*	13,6*	10,8*	10,8*											9,7*	9,7*	31' 5"
60	SW							13,2*	13,2*	10,9*	10,9*									8,3*	8,3*	38' 5"
55	SW							14,1*	14,1*	12,7*	12,7*	10,5*	10,5*							7,5*	7,5*	43' 8"
50	SW									12,6*	12,6*	11,5*	11,5*	9,7*	9,7*					7,0*	7,0*	47' 11"
45	SW									12,5*	12,5*	11,4*	11,4*	10,5*	10,5*	8,2*	8,2*			6,7*	6,7*	51' 4"
40	SW									12,5*	12,5*	11,4*	11,4*	10,5*	10,5*	9,7*	9,7*			6,5*	6,5*	54'
35	SW							14,2*	14,2*	12,7*	12,7*	11,5*	11,5*	10,5*	10,5*	9,7*	9,7*	7,8*	7,8*	6,4*	6,4*	56' 1"
30	SW							14,6*	14,6*	13,0*	13,0*	11,7*	11,7*	10,6*	10,6*	9,7*	9,7*	8,8*	8,8*	6,3*	6,3*	57' 8"
25	SW					17,1*	17,1*	15,2*	15,2*	13,4*	13,4*	11,9*	11,9*	10,8*	10,8*	9,8*	9,8*	8,8*	8,8*	6,3*	6,3*	58' 10"
20	SW			18,7*	18,7*	18,7*	18,7*	15,8*	15,8*	13,8*	13,8*	12,2*	12,2*	10,9*	10,9*	9,8*	9,8*	8,8*	8,8*	6,3*	6,3*	59' 6"
15	SW	32,9*	32,9*	24,6*	24,6*	19,7*	19,7*	16,5*	16,5*	14,2*	14,2*	12,4*	12,4*	11,0*	11,0*	9,8*	9,8*	8,7*	8,7*	6,4*	6,4*	59' 10"
10	SW	23,6*	23,6*	26,2*	26,2*	20,6*	20,6*	17,1*	17,1*	14,5*	14,5*	12,6*	12,6*	11,1*	11,1*	9,7*	9,7*	8,4*	8,4*	6,6*	6,6*	59' 7"
5	SW	11,1*	11,1*	26,9*	26,9*	21,1*	21,1*	17,3*	17,3*	14,6*	14,6*	12,6*	12,6*	10,9*	10,9*	9,5*	9,5*	8,0*	8,0*	6,1*	6,1*	59' 1"
0	SW	10,0*	10,0*	21,9*	21,9*	21,0*	21,0*	17,2*	17,2*	14,5*	14,5*	12,3*	12,3*	10,6*	10,6*	9,0*	9,0*	7,1*	7,1*	5,7*	5,7*	57' 8"
-5	SW	10,7*	10,7*	19,2*	19,2*	20,0*	20,0*	16,5*	16,5*	13,8*	13,8*	11,7*	11,7*	9,8*	9,8*	8,0*	8,0*			6,2*	6,2*	54' 2"
-10	SW			19,2*	19,2*	17,9*	17,9*	14,9*	14,9*	12,5*	12,5*	10,4*	10,4*	8,5*	8,5*					7,0*	7,0*	48' 7"
-15	SW							12,4*	12,4*	10,3*	10,3*									10,2*	10,2*	35' 4"

Height
 Can be slewed through 360°
 In longitudinal position of undercarriage
 Max. reach
 * Limited by hydr. capacity

The lift capacities on the stick end without attachment are stated in lb x 1,000 and can be slewed through 360° on a firm, level supporting surface. Capacities are valid for 30" wide flat pads. Indicated loads based on the ISO 10567 standard and do not exceed 75 % of tipping or 87 % of hydraulic capacity. The lift capacity values indicated are attained at the corresponding operating temperature. This operating temperature is ensured by continuous movement of the boom. Weights of fitted attachments (grabs, load hooks, etc.) and load accommodation attachment are to be deducted from the lift capacity values. The lift capacity of the unit is limited by its stability, the lifting capability of the hydraulic elements, or the maximum permissible lifting capacity of the load hook.



Liebherr ERC-System

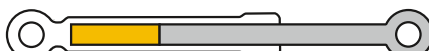
ERC System – More Performance, Less Consumption

Lowering the equipment stores energy in the ERC system. This stored energy is then made available to the machine to provide additional engine power. When the equipment is raised the stored energy is released and is reflected in

powerful, homogeneous operating cycles. The result is a clear saving on fuel – and, at the same time, even greater performance.



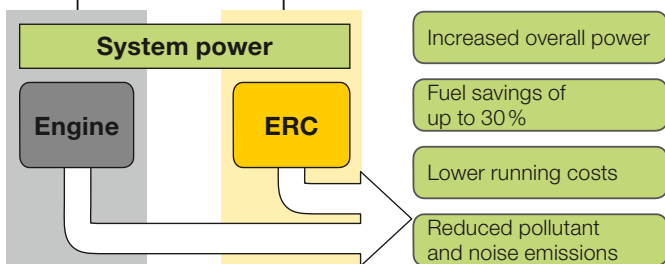
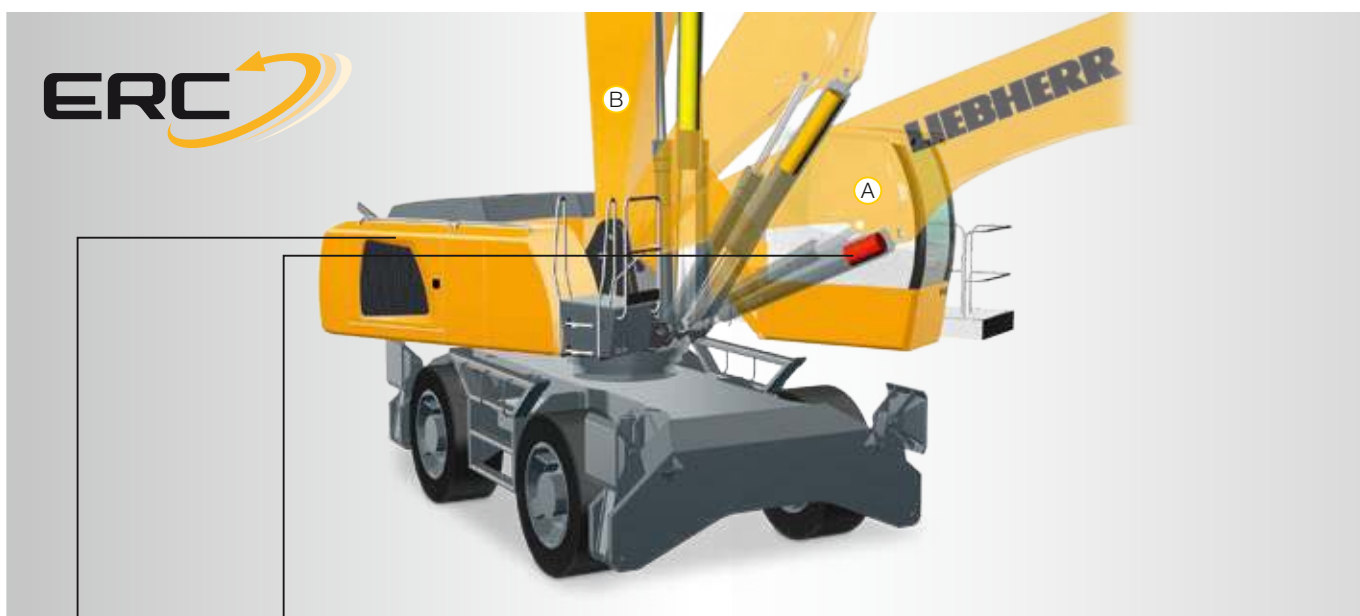
B 1. Equipment fitting raised/
Energy released



2. Lower equipment fitting/Store energy
4. Raise equipment fitting/Release energy

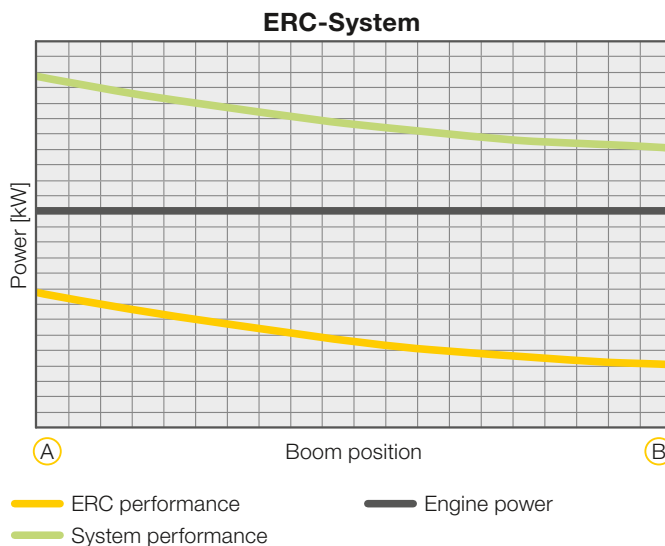


A 3. Equipment fitting lowered/
Energy stored

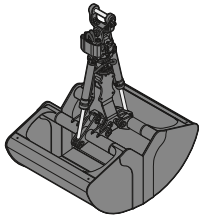


System Power

The energy recovery cylinder is a storage system which is independent of the diesel engine. The system performance of material handling machines fitted with the ERC system is composed of the installed engine power and the energy recovery cylinder. When the equipment is raised, energy from the ERC system is supplied in addition to the power from the diesel engine.



Attachments

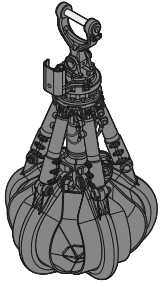


Grab for Loose Material

Shells for loose material with cutting edge (without teeth)

Grab model GM 20C

Width of shells	ft in	3'11"	4'11"	5'9"	6'7"	3'11"	7'5"	8'2"	4'11"	5'9"	6'3"
Capacity	yd ³	1.57	1.96	2.29	2.62	2.75	2.94	3.27	3.27	3.92	4.58
Weight	lb	3,345	3,625	3,855	4,080	3,785	4,315	4,545	4,105	4,370	4,530



Multi-Tine Grab

open

semi-closed

closed

Grab model GM 65 (5 tines)

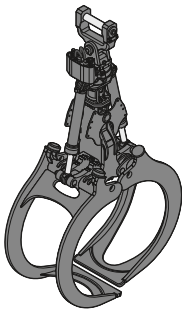
Capacity	yd ³	0.52	0.78	0.52	0.78	0.52	0.78
Weight	lb	2,315	2,555	2,625	2,890	2,975	3,340

Grab model GM 69 (4 tines)

Capacity	yd ³	1.05	1.44	1.05	1.44	1.05	1.44
Weight	lb	3,060	3,165	3,480	3,735	4,290	4,630

Grab model GM 70C (5 tines)

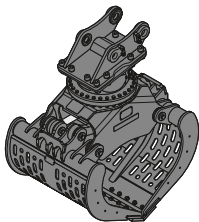
Capacity	yd ³	1.05	1.44	1.05	1.44	1.05	1.44
Weight	lb	3,495	3,630	3,975	4,280	4,525	4,575



Wood Grab

Grab model GM 20B round-shaped (complete overlapping, vertical cylinders)

Size	yd ²	1.20	1.55	1.79	2.03	2.27
Cutting width	ft in	2'8"	2'8"	2'8"	2'8"	2'8"
Height of grab, closed	ft in	8'5"	7'9"	8'1"	8'4"	9'4"
Weight	lb	3,460	3,525	3,570	3,640	3,935



Sorting Grab

ribbed

perforated

ribbed

perforated

ribbed

perforated

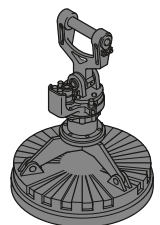
Grab model SG 30B

Width of shells	ft in	3'3"	3'3"	3'11"	3'11"	4'7"	4'7"
Capacity	yd ³	0.98	1.11	1.18	1.31	1.37	1.50
Max. closing force	lbf	17,985	17,985	17,985	17,985	17,985	17,985
Weight incl. adapter plate SWA	lb	4,140	3,935	4,350	4,065	4,550	4,195



Load Hook

Max. load	lb	27,560
Height with suspension	ft in	3'1"
Weight	lb	300





Magnet Devices / Lifting Magnets


Generator	kW	13/20	13/20
Electromagnet with suspension			
Power	kW	8.8	10
Diameter of magnet	ft in	4'1"	4'5"
Weight	lb	2,890*	3,750*


* only magnet plate

Equipment

 Undercarriage	40 M	50 M	40 C	50 M HR	50 C HR
Axles with increased traction (reduced speed)		+			
Trailer coupling	+	+			
Track pads, variants			+		+
Individual control outriggers	+	+		•	
Three-piece chain guide			+		•
Shuttle axle lock, automatic	•	•		•	
Outrigger monitoring system	+	+		+	
Tires, variants	+	+		+	
Protection for piston rods, outriggers	+	+		+	
Two lockable storage compartments	•	•			

 Uppercarriage	40 M	50 M	40 C	50 M HR	50 C HR
Uppercarriage right side light, 1 piece, LED	•	•	•	•	•
Uppercarriage rear light, 2 pieces, LED	+	+	+		
Uppercarriage underneath rear light, 1 piece, LED				+	+
Refuelling system with filling pump	+	+	+	+	+
Railing on uppercarriage	+	+	+	•	•
Generator	+	+	+	+	+
Main battery switch for electrical system	•	•	•	•	•
Amber beacon, at uppercarriage, LED double flash	+	+	+	+	+
Protection for headlights	+	+	+		
Protection for rear lights	+	+	+		
Tool equipment, extended	•	•	•	•	•

 Hydraulic System	40 M	50 M	40 C	50 M HR	50 C HR
Electronic pump regulation	•	•	•	•	•
Liebherr hydraulic oil from -4 °F to +104 °F	•	•	•	•	•
Liebherr hydraulic oil, biologically degradable	+	+	+	+	+
Liebherr hydraulic oil, specially for warm or cold regions	+	+	+	+	+
Magnetic rod in hydraulic tank	•	•	•	•	•
Bypass filter	+	+	+	+	+
Preheating hydraulic oil	+	+	+	+	+

 Engine	40 M	50 M	40 C	50 M HR	50 C HR
Fuel anti-theft device	+	+	+	+	+
Air pre-filter with dust discharge	+	+	+	+	+
Automatic engine shut-down (time adjustable)	+	+	+	+	+
Preheating fuel	+	+	+	+	+
Preheating coolant	+	+	+	+	+
Preheating engine oil *	+	+	+	+	+

 Cooling System	40 M	50 M	40 C	50 M HR	50 C HR
Reversible fan drive, fully automatic	+	+	+	+	+
Protective grid in front of cooler intake	•	•	•	•	•



Operator's Cab

	40 M	50 M	40 C	50 M HR	50 C HR
Stabilizer, control lever, left console	+	+		+	
Stabilizer, proportional control on left joystick	•	•		•	
Cab lights rear, halogen	+	+	+	+	+
Cab lights rear, LED	+	+	+	+	+
Cab lights front, halogen	+	+	+	+	+
Cab lights front, halogen (under rain cover)	•	•	•	•	•
Cab lights front, LED	+	+	+	+	+
Cab lights front, LED (under rain cover)	+	+	+	+	+
Armrest adjustable	•	•	•	•	•
Circular bubble level	+	+	+	•	•
Slewing gear brake Comfort, button on the left or right joystick	+	+	+	+	+
Driver profile, personalized (max. 5 drivers)	+	+	+	+	+
Operator's seat Comfort	•	•	•	•	•
Operator's seat Premium	+	+	+	+	+
Driving alarm (acoustic signal is emitted during travel, can be switched ON/OFF)	+	+	+	+	+
Fire extinguisher	+	+	+	+	+
Footrest	+	+	+	+	+
Horn, button on left joystick	•	•	•	•	•
Joystick steering (max. 7.5 mph)	•	•		•	
Joystick and wheel steering (slim version)	+	+		+	
Cab elevation, hydraulic (LHC)	•	•	•	•	•
Cab elevation, rigid (LFC)	+	+	+		
Automatic air conditioning	•	•	•	•	•
Wheel steering (slim version)	+	+		+	
LiDAT, vehicle fleet management	•	•	•	•	•
Proportional control	•	•	•	•	•
Radio Comfort, control via display with handsfree set	+	+	+	+	+
Preparation for radio installation	•	•	•	•	•
Back-up alarm (acoustic signal is emitted traveling backward, can not be switched off)	+	+		+	
Amber beacon, on cabin, LED double flash	+	+	+	+	+
Windows made from impact-resistant laminated safety glass	+	+	+	•	•
Windscreen wiper, roof	+	+	+	+	+
Windshield wiper, entire windscreen	•	•	•	•	•
Top guard	+	+	+	+	+
Front guard, adjustable	+	+	+	+	+
Sun visor	+	+	+	+	+
Left control console, folding	•	•	•	•	•



Equipment

	40 M	50 M	40 C	50 M HR	50 C HR
Boom lights, 2 pieces, halogen	•	•	•	•	•
Boom lights, 2 pieces, LED	+	+	+	+	+
Stick lights, 2 pieces, halogen	•	•	•	•	•
Stick lights, 2 pieces, LED	+	+	+	+	+
Boom shutoff (retract/extend), electronically	+	+	+	+	+
Equipment with electro-hydraulic end position control	•	•	•	•	•
AutoLift	+	+	+	+	+
Pressure warning mechanism hoist cylinder	•	•	•	•	•
ERC system	•	•	•	•	•
Filter system for attachment	+	+	+	+	+
Electronic lift limitation	+	+	+	+	+
Boom cylinder cushioning	•	•	•	•	•
Stick camera (with separate monitor), bottom side, with protection	+	+	+	+	+
Load torque limitation	+	+	+	+	+
Liebherr multi coupling system	+	+	+	+	+
Liebherr quick coupler, hydraulic	+	+	+		
Pipe fracture safety valves hoist cylinders	•	•	•	•	•
Pipe fracture safety valves stick cylinders	•	•	•	•	•
Quick coupling system LIKUFIX	+	+	+		
Quick coupling system MH 40B	+	+	+	+	+
Protection for piston rod, energy recovering cylinder	+	+	+	+	+
Protection for piston rods, hoist cylinder	+	+	+	+	+
Stick shutoff (retract), electronically	•	•	•	•	•
Stick shutoff (retract/extend), electronically	+	+	+	+	+
Retract stick without pressure	•	•	•	•	•
Sticks with quick coupling	+	+	+	+	+
Overload warning device	+	+	+	+	+



Complete Machine

	40 M	50 M	40 C	50 M HR	50 C HR
Lubrication					
Lubrication undercarriage, manually – decentralized (grease points)	•	•			
Lubrication undercarriage, manually – centralized (one grease point)	+	+		•	
Central lubrication system for uppercarriage and equipment, automatically	•	•	•	•	•
Central lubrication system for undercarriage, automatically	+	+		+	
Central lubrication system, extension for attachment	+	+	+	+	+
Special coating					
Special coating, variants	+	+	+	+	+
Monitoring					
Rear view monitoring with camera	•	•	•	•	•
Side view monitoring with camera	•	•	•	•	•

• = Standard, + = Option

* = country-dependent

Options and/or special equipments, supplied by vendors other than Liebherr, are only to be installed with the knowledge and approval of Liebherr in order to retain warranty.

The Liebherr Group of Companies



Diverse Product Range

The Liebherr Group is one of the largest construction equipment manufacturers in the world. Liebherr's quality products and services hold a high reputation in many industries. The wide range includes domestic appliances, aerospace and transportation systems, machine tools and maritime cranes.

Exceptional Customer Benefit

Every product line provides a complete range of models in many different versions. With both their technical excellence and superior quality, Liebherr products offer customers the highest benefits in practical applications.

State-of-the-art Technology

Liebherr attributes great importance to the product areas of core technology and components, in order to achieve its consistent, top-quality products. Important modules and components are developed and manufactured in-house, for instance, the entire drive and control technology for the construction equipment and mining trucks.

Worldwide and Family-Owned

Hans Liebherr founded the Liebherr family company in 1949. Since that time, the enterprise has steadily grown to a group of more than 130 companies with more than 46,000 employees located on all continents. The corporate headquarters of the Group is Liebherr-International AG in Bulle, Switzerland. The Liebherr family is the sole owner of the company.

www.liebherr.us

Liebherr USA, Co.

Construction Equipment Division
4100 Chestnut Avenue, Newport News, VA 23607, USA
☎ +1 (757) 245 5251, Fax +1 (757) 928 8701
www.liebherr.us, E-Mail: Construction.USA@liebherr.com
www.facebook.com/LiebherrConstruction